



AllPondSolutions®

PRESSURISED SPIN CLEAR POND FILTER

PFC-3000

 **FILTRE DE BASSIN PRESSURISE DE NETTOYAGE ROTATIF
OUTPUT CONTROL DIAL**

 **FILTRO PRESURIZADO PARA ESTANQUES CON REMOCIÓN
MEDIANTE GIROS**

 **SPIN CLEAR TEICH-DRUCKFILTER**





To ensure your new pond filter is set up and running correctly, and to prevent any accidental damage or injury, please read and follow the below instructions carefully before using your product.

SAFETY

Important! Disconnect the mains electricity supply before attempting any installation / maintenance of any kind. Do not attempt to modify this unit in any way and only use the recommended parts for replacement.

- The pond filter should never be run dry as this will cause the unit to overheat and cause permanent damage.
- All connections must be earthed.
- The power cord of this appliance cannot be replaced; if the cord is damaged, the appliance should be discarded. Never cut the cord.
- Do not connect to any voltage other than that stated.
- This filter is suitable for outdoor ponds only. Do not place in liquids other than water.
- Do not use with water above 90F or 30C.
- Do not carry or pull the unit by its electrical cable.
- Do not use this unit if it has a damaged cord, if it is malfunctioning or it is dropped or damaged in any manner
- Do not attempt to modify this unit in any way and only use attachments and the recommended parts for replacement recommended by the manufacturer.
- Before installing, maintaining or handling your equipment, or before placing your hands in your pond, ensure that the unit is disconnected from the electricity supply.
- Always disconnect any electrical devices when not in use.
- Carefully examine your filter after installation. Do not connect the unit to the mains if there is water on any parts not intended to be wet.
- Do not look directly at the UV light when it is operational.
- Before operating the pond filter observe that water is flowing through it - the UV requires constant flow to avoid overheating.



- If you are positioning your PFC filter above ground, ensure the pond filter is located at least 2 metres from the edge of the pond edge. If the filter will be sunk into the ground, it can be positioned closer to the water
- To avoid injury, do not touch hot or moving parts such as, but not limited to, heaters, reflectors, UV bulbs or impeller
- During maintenance ensure all O-rings are present and intact.
- If the appliance shows any signs of water leakage or the RCD unit switches off, disconnect the unit from the power supply and consult the retailer where you purchased the unit.
- Do not install or store this unit where it will be exposed to temperatures near to 0°C / 32°F. In freezing conditions, remove and store the unit in a sheltered area ensuring all water has been drained from the filter.
- Do not bury the cord for this unit. Ensure it does not cause a trip hazard or it at risk from damage from lawn mowers, strimmers or other garden equipment.
- This is a weatherproof but NOT a submersible product - do not immerse the product in water. If the appliance falls into the water DO NOT reach for it - disconnect from your RCD unit and then retrieve it.

Please note – this appliance can be used by children aged from 8 years and above and persons with reduced physical, sensory or mental capabilities or lack of experience and knowledge, provided they are given supervision and instruction concerning use of the appliance and understand the hazards involved. Children must not play with the appliance. Any maintenance must not be made by children without supervision.

OUTLET SYMBOLS



WATER INLET POINT



WATER OUTLET POINT



SELF-CLEANING POINT



ELECTRIC

This unit comes complete with a generous supply of 3 core cable, however should any additional cable be required, the use of an approved waterproof cable connector with a proper rating is essential. A cord rated for less amperes or watts than the appliance rating may overheat.

Please Ensure:

- The power supply must be earthed and fused at 3amps.
- You regularly inspect the cable for damage and deterioration.
- Do not connect to any voltage other than that stated.
- You consult a qualified electrician if in doubt about any aspects of wiring.
- A residential current device (RCD) is used for additional safety
- You have complied with Local Electricity Authority regulations if permanently installing to the mains supply.

Please Ensure: The power supply must be earthed and fused at 3amps. Regularly inspect the cable for damage and deterioration. Consult a qualified electrician if in doubt about any aspects of wiring.

CHOOSING YOUR FILTER LOCATION

- The pressure of your unit depends on many factors such as location (height and distance from your pond), power and location of the connected pump (L/H), pond depth, stock density and hose dimensions. To enhance pond water quality, we recommend considering these factors to ensure maximum efficiency and avoid low return pressure.
- If positioning your filter above ground, ensure it is located at least 2 metres from your pond edge. If your filter will be sunk into the ground, you can position the unit closer to the water.
- Place your filter on a level and sturdy surface that is well ventilated and not at risk of flooding.
- To avoid overheating, ensure the filter is not covered and is positioned away from direct sunlight.
- Position the filter so the hosing connected to the Water Inlet Point and Water Outlet Points is not bent or obstructed.



- The filter is suitable for burying up to the head rim of the unit. Make sure access to the body of the system is possible for maintenance purposes. Burying the unit will help reduce the distance between the filter and the pond and provide higher return water pressure.

INSTALLATION & USE

Please read the below instructions carefully before beginning to set up your filter. **DO NOT CONNECT THE UNIT TO THE MAINS UNTIL SET UP IS COMPLETE AND UNIT IS FILLED WITH WATER.**

- ❶ Prior to installing the unit, examine the quartz sleeve and UV bulb to make sure these have not been damaged in transportation (see maintenance section). Handle with care. Do not hold UV bulb with bare hands as this can affect performance.
- ❷ **Connect the required attachments** - Choose the required hosetails (dependent on your flexible hose dimensions) and attach to the filter (utilise nut and o-ring in tandem to seal tight). On stepped hosetails if using a hose larger than the smallest dimension, you will need to cut down the hosetails to avoid restricting the flow of water.
- ❸ **Position the filter** - unless you are burying the unit, ensure that the filter is placed adjacent to your pond (at least 2 metres away from the water).
- ❹ **Connect your flexible hose to the filter** - connect your flexible hose to the hosetails. Safely connect using either jubilee / wire clips to ensure this is water tight. Your pump (not included) should be attached to the 'Water Inlet Point'. The 'Water Outlet Point' should direct water either back into your pond or to a waterfall adjacent to the pond. Point the water direction knob towards your 'Water Inlet Point' and 'Water Outlet Point'.
- ❺ **Connect the filter to the mains** - Connect the unit to the mains using a residual current device (RCD) for additional safety.
- ❻ **Switch on your pump** - Switch on your pump and visually inspect that you have the expected water flow through the filter. Visually check that you have no leakage.
- ❼ **Switch on your filter at the mains** - not that you have visually checked that the unit is being supplied with the required flow of water you can turn on the UV operation by switching on the unit at the mains.



UVC OPERATION

- Always ensure that the filter has water flowing through the unit prior to operating the UV.
- Never look directly at the UV light when operational.
- Check that the UV is operational visually using the UV indicator.

MAINTENANCE

To ensure optimal performance and that your unit functions correctly, regular maintenance is essential. Failure to do so may result in damage to your unit and may invalidate your warranty.

We recommend that a regular cleaning and maintenance schedule is followed to ensure responsible fishkeeping. Depending on water volume and stocking levels, regular cleaning of the filter media, foams, impeller, inlet/outlet pipework will help ensure that the product works efficiently and your pond remains healthy.

For further maintenance guidance, please see the table and additional information below:

	1 MONTH	3 MONTHS	6 MONTHS	ANNUALLY
All Pipework	Clean & Inspect			
Hosing				Clean & Inspect
Cleaning Handle			Lubricate & Clean	
O-Rings	Clean & Inspect	Lubricate & Clean		Replace
Filter Foams & Other Media	Clean & Inspect		Replace	
UV Bulb			Replace	
Quartz Sleeve			Clean & Inspect	Replace after 2 years



O-rings

It is vital that O-rings are regularly inspected and replaced as the rubber watertight seal will perish over time, which may cause your unit to leak. Before replacing your o-rings, ensure they are well lubricated.

Filter Maintenance

In general, it is recommended to disconnect your filter and clean the pipes, impeller and filter media monthly. Pipework will become blocked with waste and protein slime over time, so regular cleaning is important for optimal performance.

The frequency of how often you will need to clean and inspect your unit of course will depend on a lot of factors like how dirty the water is when you first start using your filter, your pond volume and also how many fish you have. How often you feed your fish and seasonal light levels will also affect how quickly your pond water gets dirty and will need to be taken into consideration when planning how often to clean your filter.

Filter Media

The filter media provided with your filter and their positioning within the filter body are designed to give complete and optimum filtration for your pond

Filter Sponges	Mechanical Filtration	Removes small waste particles from the water.
Bio Balls	Biological Filtration	Creates environment for nitro-bacteria to cultivate and help oxygenate the water.

Important! Always use water from your pond to clean your filter sponges and media. Do not use mains water or any cleaning products to clean your media.

When replacing media in your filter, do not replace more than 50% of your media at once. This is to ensure that the nitrifying bacteria present in the old media are able to repopulate in the newly added filter media.



Spin Clear Cleaning Process

It is recommended that every 2 weeks you perform the 'spin clear cleaning' process to ensure the continued effectiveness of the filter. Depending on your pond volume and stock levels, this may need to be completed more or less often.

Again depending on the above factors you will want to perform a full deep clean of the included foams and the inside of the filter body 2-3 times a year.

- 1 Switch off your filter at the mains.
- 2 Switch off your pump - switch off your pump and visually inspect that you have no water flow through the PFC filter.
- 3 Connect the flexible hose to the 'Spin Clear Point' - connect your flexible hose to the 'Spin Clear Point' hosetail. Safely connect using either jubilee / wire clips to ensure this is water tight.
- 4 Aim your waste - aim the 'Spin Clear Point' flexible hose waste water to a suitable location. Point the 'Outlet Control Dial' towards the 'Spin Clear Point'.
- 5 Switch on your pump - switch on your pump and visually inspect that you have the expected water flow through the PFC filter. Check that you have no leakage.
- 6 Attach the 'Self Cleaning Handle' and spin clear - attach the supplied 'Self Cleaning Handle' to the top of the unit. Spin the handle in either direction to spin and squeeze the waste from your filter foams.
- 7 Return the filter to normal operation - point the water direction knob towards your Water Inlet Point and Water Outlet Point. Visually check that you have no leakage. Inspect that you have the expected water flow through your filter. Switch on at the mains.

Deep Clean Movement

All internal cleaning should be done using pond water, away from the pond.

- 1 **Remove the filter lid** - unfasten the head clasps and remove. Pull the PFC lid clear of the unit and place upside down on a flat surface.



- ② **Remove the filter sponges** - unscrew the Filter Plate and Plate Holder. You can now remove the filter sponges from the PFC lid.
- ③ **Clean filter sponges** - clean the filter sponges using water from your pond and replace. Reattach the Filter Plate and Plate Holder.
- ④ **Clean biomechanical media** - Rinse through your bio balls in the bottom of the filter body.
- ⑤ **Clean body and all attachments.**
- ⑥ **Reassemble.**

Replacing the UV Bulb

NEVER look directly at the UV light.

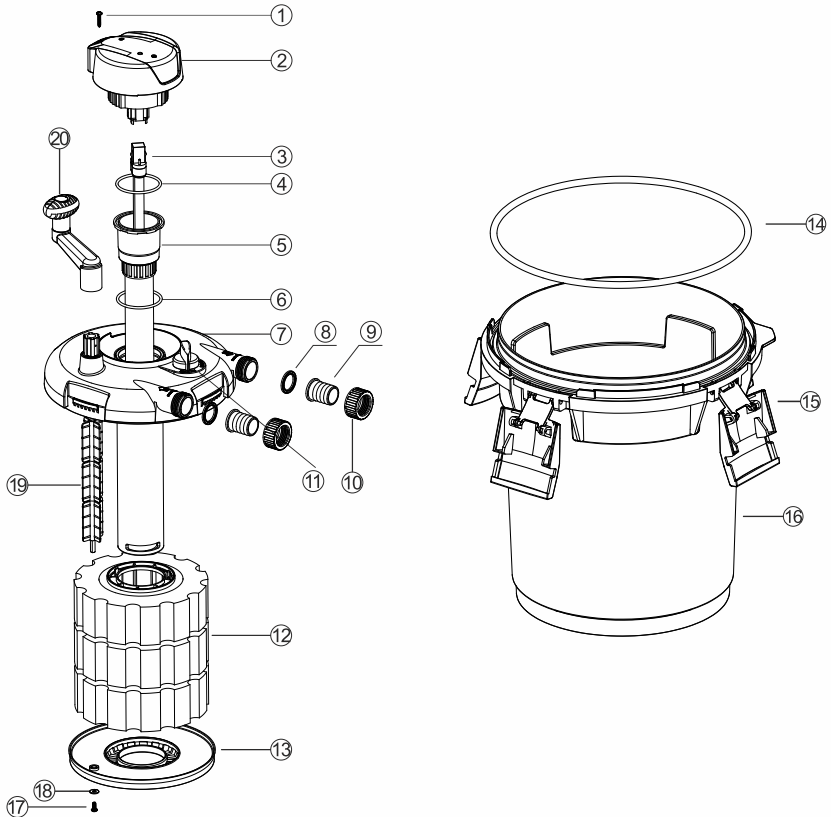
When replacing your UV bulb, use this time to clean your quartz sleeve and carefully examine for any damage or cracks. Take care when handling the quartz sleeve and UV bulb to avoid any damage to the glass.

- ① Unscrew the UV head cover from the PFC Lid and lift clear from the unit.
- ② Turn the UV Quartz Nut to release the UV quartz from the head. Remove the UV bulb and replace.
- ③ Re-insert the UV quartz and turn UV Quartz Nut to lock it in place.

Important! Check regularly that your UV light is operational by looking at the UV light indicator located on the top of the filter lid. Always change your UV bulb every six months regardless of it working or not, as its performance will lessen by this stage.



PARTS DIAGRAM



1 HEAD SCREW

2 UV HEAD COVER

3 UV LAMP

4 O-RING

5 UV QUARTZ

6 UV O-RING

7 PFC LID

8 HOSETAIL O-RING

9 HOSETAILS

10 OUTLET NUT

11 OUTPUT CONTROL DIAL

12 SPONGES

13 FILTER PLATE

14 MAIN HEAD O-RING

15 HEAD CLASP

16 PFC BODY

17 ROD SCREW

18 ROD WASHER

19 DISPLAY ROD

20 CLEANING HANDLE



TROUBLESHOOTING

UV Indicator is not Lighting Up

If the UV indicator is not lighting up follow these troubleshooting steps:

- 1 Unscrew the UV head cover and pull the UV head cover with the UV bulb and quartz attached clear from the filter body.
- 2 For only a few seconds turn on the system and check if you can see the UV is operational (DO NOT look directly at the UV).
- 3 If the UV is operational, clean the UV indicator.
- 4 If you find that the UV light is still not operational, check that you have power from the mains supply.
- 5 If you do have power from the mains supply, try changing the UV bulb.
- 6 If you find that the UV light is still not operational the UV ballast may have developed a fault and you will need to contact the supplier of your unit to obtain replacement parts.
- 7 Please remember that UV bulbs for use in ponds should be replaced every 12 months.

If none of the above resolves your issue, or you require spare parts for your filter, please contact the supplier of your unit.

SPECIFICATIONS

MODEL	PFC-3000
UV POWER (WATTAGE)	9
DIMENSIONS (LxWxH) (mm)	250x250x407
FILTER BODY VOLUME (LITRES)	8L
MAX FLOW RATE (LITRES)	4000
INLET / OUTLET HOSE ADAPTOR	3/4" - 1"
CABLE LENGTH	5m (plug not included)
VOLTAGE	220-240v / 50Hz



WARRANTY

The All Pond Solutions PFC filter range is guaranteed against defects in material or workmanship under normal pond usage and comes with 24 months warranty for all electrical parts. The warranty period commences from the date of purchase.

If you require support on how to use your unit, replacement parts or if your filter develops a fault during the warranty period, please contact the supplier of your unit.

Non-replaceable, non-perishable and non-serviceable parts will be repaired or replaced free of charge, once the unit is returned with all components along with a valid proof of purchase and postage paid. We reserve the right to replace or repair the unit at our discretion.

Please be aware that perishable parts that are subject to normal wear and tear, such as impellers, impeller covers, motor seals and UV bulbs, are not covered by your warranty and a charge may be required for replacements of these.

This warranty does not apply to any unit that has been subjected to misuse, accidental damage, negligence, tampering or customisation. It does not apply to units which have been assembled incorrectly, improperly maintained, or where the instructions and safety information in this manual has not been followed correctly.

No liability is assumed with respect to loss or damage to livestock or personal property irrespective of the cause thereof.

Please ensure that only genuine All Pond Solutions components are used when completing a replacement or repair. Spare parts are available at our official website or from your local supplier.

Before returning your unit under warranty terms, check that all setup and maintenance instructions have been correctly followed. If you are in doubt, please contact your local aquatic retailer for further advice before returning the product.

This does not affect your statutory rights.



Pour vous assurer que votre nouveau filtre pour le bassin est configuré et fonctionne correctement, et pour éviter tout dommage accidentel ou toute blessure, veuillez lire et suivre attentivement les instructions ci-dessous avant d'utiliser votre produit.

SÉCURITÉ

Important! Débranchez l'alimentation électrique du secteur avant de tenter toute installation / maintenance de quelque nature que ce soit. N'essayez en aucun cas de modifier cet appareil et utilisez uniquement les pièces recommandées.

- Le filtre de bassin ne doit jamais être utilisé à sec car cela provoquerait une surchauffe de l'appareil et des dommages permanents.
- Toutes les connexions doivent être branchées sur une prise terre.
- Le cordon d'alimentation de cet appareil ne peut pas être remplacé. Si le cordon est endommagé, l'appareil doit être mis au rebut. Ne jamais couper le cordon.
- Ne pas brancher à une tension autre que celle indiquée.
- Ce filtre ne convient qu'aux bassins extérieurs. Ne pas placer dans d'autres liquides que de l'eau.
- Ne pas utiliser avec une eau supérieure à 30°C (90°F)
- Ne transportez pas et ne tirez pas l'appareil par son câble électrique.
- N'utilisez pas cet appareil si son cordon est endommagé, s'il fonctionne mal, s'il est tombé ou endommagé de quelque manière que ce soit.
- N'essayez en aucun cas de modifier cet appareil et utilisez uniquement les accessoires et les pièces recommandées par le fabricant pour le remplacement.
- Avant d'installer, d'entretenir ou de manipuler votre équipement, ou avant de placer vos mains dans votre bassin, assurez-vous que l'unité soit débranchée de l'alimentation électrique.
- Déconnectez toujours tous les appareils électriques lorsqu'ils ne sont pas utilisés.
- Examinez attentivement votre filtre après l'installation. Ne connectez pas l'appareil au secteur s'il y a de l'eau sur des pièces qui ne sont pas conçues pour être mouillées



- Ne regardez pas directement la lampe UV lorsqu'elle est opérationnelle.
- Avant d'utiliser le filtre de bassin, vérifiez que l'eau y passe, car les UV nécessitent un flux constant pour éviter la surchauffe.
- Si vous placez votre filtre PFC au-dessus du sol, assurez-vous que le filtre de bassin soit situé à au moins à 2 mètres du bord du bassin. Si le filtre s'enfonce dans le sol, il peut être positionné plus près de l'eau.
- Pour éviter les blessures, ne touchez pas les pièces chaudes ou en mouvement telles que les radiateurs électriques, les réflecteurs, les ampoules UV ou la turbine.
- Pendant la maintenance, assurez-vous que tous les joints toriques sont présents et intacts.
- Si l'appareil présente des signes de fuite d'eau ou si l'unité RCD s'éteint, débranchez-la de l'alimentation électrique et consultez le revendeur auprès duquel vous avez acheté l'unité.
- N'installez pas et ne stockez pas cet appareil dans un endroit où il serait exposé à des températures proches de 0 ° C / 32 ° F. En cas de gel, retirez et rangez l'appareil dans un endroit protégé en veillant à ce que toute l'eau ait été vidangée du filtre.
- Ne pas enterrer le cordon pour cet appareil. Assurez-vous qu'il n'y ait pas de risque de chute ni de dommage causé par les tondeuses à gazon, les débroussailleuses ou tout autre équipement de jardin.
- Ceci est un produit résistant aux intempéries mais ce n'est PAS un produit submersible - ne plongez pas le produit dans l'eau. Si l'appareil tombe dans l'eau, ne le touchez pas. Déconnectez-le de votre appareil RCD, puis récupérez-le.

Important! Veuillez noter que cet appareil peut être utilisé par des enfants âgés de 8 ans et plus et des personnes ayant des capacités physiques, sensorielles ou mentales réduites ou un manque d'expérience et de connaissances, à condition qu'elles reçoivent une supervision et des instructions concernant l'utilisation de l'appareil et comprennent les risques encourus. Les enfants ne doivent pas jouer avec cet appareil. Aucun entretien ne doit être effectué par des enfants sans surveillance.



ÉLECTRIQUE

Cette unité est livrée avec un large choix de câbles à 3 conducteurs. Toutefois, si vous avez besoin de câbles supplémentaires, il est essentiel d'utiliser un connecteur de câble étanche homologué avec une classification appropriée. Un cordon conçu pour des ampères ou des watts inférieurs à ceux de l'appareil peut surchauffer.

Veillez vous assurer :

- L'alimentation doit être branché à une prise de terre et protégée par un fusible à 3 ampères.
- Vous inspectez régulièrement le câble à la recherche de dommages et de détérioration.
- Ne pas brancher à une tension autre que celle indiquée.
- En cas de doute sur un aspect quelconque du câblage, consultez un électricien qualifié.
- Un dispositif de courant résidentiel (RCD) est utilisé pour plus de sécurité
- Vous vous êtes conformé aux réglementations de l'autorité locale de l'électricité si vous l'avez installé en permanence sur le secteur.

Veillez vous assurer que : L'alimentation doit être branché à une prise de terre et protégée par un fusible à 3 ampères. Inspectez régulièrement le câble à la recherche de dommages et de détérioration. Consultez un électricien qualifié en cas de doute sur un aspect quelconque du câblage.

CHOISIR VOTRE EMPLACEMENT POUR LE FILTRE

- La pression de votre appareil dépend de nombreux facteurs tels que l'emplacement (hauteur et distance de votre étang), la puissance et l'emplacement de la pompe connectée (L / H), la profondeur de l'étang, la densité du stock et les dimensions du tuyau. Pour améliorer la qualité de l'eau des bassins, il est recommandé de prendre en compte ces facteurs pour assurer une efficacité maximale et éviter une pression de retour basse.
- Si vous placez votre filtre au-dessus du sol, assurez-vous qu'il se trouve à au moins 2 mètres du bord de votre étang. Si votre filtre s'enfonce dans le sol, vous pouvez positionner l'appareil plus près de l'eau.
- Placez votre filtre sur une surface plane et stable bien ventilée et ne présentant aucun risque d'inondation.
- Pour éviter toute surchauffe, assurez-vous que le filtre ne soit pas recouvert et qu'il soit placé à l'abri de la lumière directe du soleil.



Jointts Toriques

Il est essentiel que les joints toriques soient régulièrement inspectés et remplacés, car le joint d'étanchéité en caoutchouc périra avec le temps, ce qui pourrait entraîner une fuite de votre appareil. Avant de remplacer vos joints toriques, assurez-vous qu'ils soient bien lubrifiés.

Maintenance Du Filtre

En général, il est recommandé de débrancher votre filtre et de nettoyer les tuyaux, la turbine et le média filtrant tous les mois. La tuyauterie deviendra obstruée par les déchets et les protéines au fil du temps, un nettoyage régulier est donc important pour une performance optimale.

La fréquence à laquelle vous aurez besoin de nettoyer et d'inspecter votre appareil dépendra, bien sûr, de nombreux facteurs tels que la saleté de l'eau au moment où vous commencez à utiliser votre filtre, le volume de votre bassin et le nombre de poissons que vous avez. La fréquence à laquelle vous nourrissez vos poissons et les niveaux de lumière saisonniers affectent également la vitesse de salissure de l'eau de votre étang et doivent être pris en compte lors de la planification de la fréquence de nettoyage de votre filtre.

Filtres De Médias

Le média filtrant fourni avec votre filtre et son positionnement dans le corps du filtre sont conçus pour une filtration complète et optimale de votre bassin.

Éponges filtrantes	Filtration mécanique	Éliminent les petites particules résiduelles de l'eau
Bio Balls	Filtration Biologique	Créent un environnement propice à la culture des nitro-bactéries et aide à oxygéner l'eau.

Important! Utilisez toujours l'eau de votre bassin pour nettoyer vos éponges filtrantes et vos médias. N'utilisez pas d'eau courante ni de produits de nettoyage pour nettoyer vos supports.

Lorsque vous remplacez un média dans votre filtre, ne remplacez pas plus de 50% de votre média à la fois. Cela permet de s'assurer que les bactéries nitrifiantes présentes dans l'ancien média puissent se repeupler dans le média filtrant nouvellement ajouté.



- Positionnez le filtre de sorte que le tuyau connecté aux points d'arrivée d'eau et de sortie d'eau ne soit ni courbé ni obstrué.
- Le filtre convient pour l'enfouissement jusqu'au bord supérieur de l'appareil. Assurez-vous qu'un accès au corps du système soit possible à des fins de maintenance. L'enfouissement de l'appareil aidera à réduire la distance entre le filtre et le bassin et fournira une pression d'eau de retour plus élevée.

INSTALLATION & UTILISATION

Veillez lire attentivement les instructions ci-dessous avant de commencer à configurer votre filtre. **NE CONNECTEZ PAS L'APPAREIL AU SECTEUR AVANT QUE L'INSTALLATION SOIT REMPLIE ET L'UNITÉ REMPLIE D'EAU.**

- ➊ Avant d'installer l'appareil, examinez le manchon en quartz et l'ampoule UV pour vous assurer qu'ils n'aient pas été endommagés pendant le transport (voir la section Entretien). Manipulez avec soin. Ne tenez pas l'ampoule UV avec les mains nues car cela pourrait nuire aux performances.
- ➋ Raccordez les accessoires requis. Choisissez les colliers requis (en fonction des dimensions de votre tuyau flexible) et fixez-les au filtre (utilisez un écrou et un joint torique en tandem pour assurer l'étanchéité). Si vous utilisez un tuyau plus grand que la plus petite dimension, vous devrez les couper pour éviter de limiter le débit d'eau.
- ➌ Positionnez le filtre (à moins que vous n'enterriez l'appareil), assurez-vous qu'il soit placé à côté de votre bassin (à au moins 2 mètres de l'eau).
- ➍ Raccordez votre tuyau flexible au filtre : Raccordez votre tuyau flexible aux tuyaux. Connectez-vous en toute sécurité à l'aide de pinces jubilee / fil pour vous assurer que le produit soit étanche. Votre pompe (non fournie) doit être fixée au «point d'entrée de l'eau». Le point de sortie de l'eau doit diriger l'eau soit dans votre étang, soit dans une cascade adjacente à l'étang. Pointez le bouton de direction de l'eau vers votre 'Point d'entrée d'eau' et votre 'Point de sortie d'eau'.
- ➎ Connectez le filtre au secteur : Connectez l'appareil au secteur à l'aide d'un dispositif à courant résiduel (RCD) pour plus de sécurité.
- ➏ Allumez votre pompe : Allumez votre pompe et vérifiez visuellement que vous avez le débit d'eau prévu à travers le filtre. Vérifiez visuellement que vous n'avez aucune fuite.



- 7 Allumez votre filtre sur le secteur : Maintenant que vous avez vérifié visuellement que le flux d'eau requis soit bien fourni à l'unité, vous pouvez activer le mode UV en le mettant sous tension.

FONCTIONNEMENT UVC

- Assurez-vous toujours que le filtre ait de l'eau qui coule à travers l'unité avant d'utiliser les UV.
- Ne regardez jamais directement la lampe UV lorsqu'elle est opérationnelle.
- Vérifiez que les UV fonctionnent visuellement à l'aide de l'indicateur UV.

MAINTENANCE

Pour assurer des performances optimales et le bon fonctionnement de votre appareil, un entretien régulier est essentiel. Dans le cas contraire, cela pourrait endommager votre appareil et annuler votre garantie.

Nous recommandons de suivre un programme de nettoyage et d'entretien régulier pour assurer un beau bassin. En fonction du volume d'eau et des niveaux de stockage, un nettoyage régulier du média filtrant, des mousses, de la turbine et de la tuyauterie d'entrée / de sortie contribuera à l'efficacité du produit et à la santé de votre bassin.

Pour plus de conseils sur la maintenance, veuillez vous reporter au tableau et aux informations supplémentaires ci-dessous :

	1 MOIS	3 MOIS	6 MOIS	TOUS LES ANS
Toutes les tuyauteries	Nettoyer et inspecter			
Conduit				Nettoyer et inspecter
Poignée de nettoyage			Lubrifier et nettoyer	
Joint toriques	Nettoyer et inspecter	Lubrifier et nettoyer		Remplacer
Filtre à mousse et supports	Nettoyer et inspecter		Remplacer	
Ampoule UV			Remplacer	
Manchon de quartz			Nettoyer et inspecter	Remplacer tous les 2 ans



Nettoyage Par Essorage

Il est recommandé d'effectuer le processus de «nettoyage par essorage» toutes les deux semaines pour garantir l'efficacité continue du filtre. Selon le volume de votre bassin et les niveaux de stock, il peut être nécessaire de le compléter plus ou moins souvent.

Encore une fois, en fonction des facteurs ci-dessus, vous effectuerez un nettoyage en profondeur des mousses incluses et de l'intérieur du corps du filtre, 2 à 3 fois par an.

- 1 Éteignez votre filtre au secteur.
- 2 Éteignez votre pompe : Éteignez votre pompe et vérifiez visuellement que le filtre PFC ne coule pas.
- 3 Raccordez le tuyau flexible au 'Spin Clear Point' : Connectez votre tuyau flexible au conduit 'Spin Clear Point'. Connectez-le en toute sécurité à l'aide de pinces jubilee / fil pour vous assurer que le produit est étanche.
- 4 Dirigez vos déchets : Dirigez les eaux usées du tuyau flexible «Spin Clear Point» vers un emplacement approprié. Pointez le «sélecteur de contrôle de sortie» vers le «point de rotation claire».
- 5 Allumez votre pompe : Allumez votre pompe et vérifiez visuellement que vous avez le débit d'eau attendu à travers le filtre PFC. Vérifiez que vous n'avez aucune fuite.
- 6 Fixez la 'poignée de nettoyage automatique' et tournez-la clairement. Fixez la 'poignée de nettoyage automatique' fournie en haut de l'appareil. Faites tourner la poignée dans un sens ou l'autre pour essorer et presser les déchets de vos mousses à filtre.
- 7 Remettez le filtre en mode de fonctionnement normal : Pointez le bouton de direction de l'eau vers votre point d'entrée d'eau et votre point de sortie d'eau. Vérifiez visuellement que vous n'avez aucune fuite. Vérifiez que vous avez le débit d'eau prévu à travers votre filtre. Allumez au secteur.

Entretien En Profondeur

Tout le nettoyage interne doit être effectué avec de l'eau du bassin, mais loin de l'étang.

- 1 **Retirez le couvercle du filtre** : détachez les agrafes de la tête et retirez-les. Tirez le couvercle



- 2 **Retirez les éponges filtrantes** : dévissez la plaque filtrante et le porte-plaque. Vous pouvez maintenant retirer les éponges filtrantes du couvercle du PFC.
- 3 **Nettoyez les éponges filtrantes** : nettoyez les éponges filtrantes avec de l'eau de votre étang et remplacez-les. Rattachez la plaque filtrante et le porte-plaque.
- 4 **Média biomécanique propre** : rincez vos bio balls dans le fond du corps du filtre.
- 5 **Nettoyez le corps et toutes les pièces jointes.**
- 6 **Remontez**

Remplacement De L'ampoule UV

Ne regardez **JAMAIS** directement la lumière UV.

Lorsque vous remplacez votre ampoule UV, utilisez ce temps pour nettoyer votre manchon en quartz et examinez-le soigneusement pour vous assurer qu'il ne présente aucun dommage ni fissure. Veillez à ne pas endommager le verre lors de la manipulation du manchon en quartz et de l'ampoule UV.

- 1 Dévissez le couvercle de la tête UV du couvercle du PFC et retirez-le de l'appareil.
- 2 Tournez l'écrou de quartz UV pour libérer le quartz UV de la tête. Retirez l'ampoule UV et remplacez-la.
- 3 Réinsérez le quartz UV et tournez l'écrou de quartz UV pour le verrouiller en place.

important! Vérifiez régulièrement que votre lampe UV soit opérationnelle en regardant l'indicateur de lumière UV situé en haut du couvercle du filtre. Changez votre ampoule UV tous les six mois, que cela fonctionne ou non, car ses performances diminuent à ce stade

SYMBOLES DE SORTIE



Point d'entrée d'eau



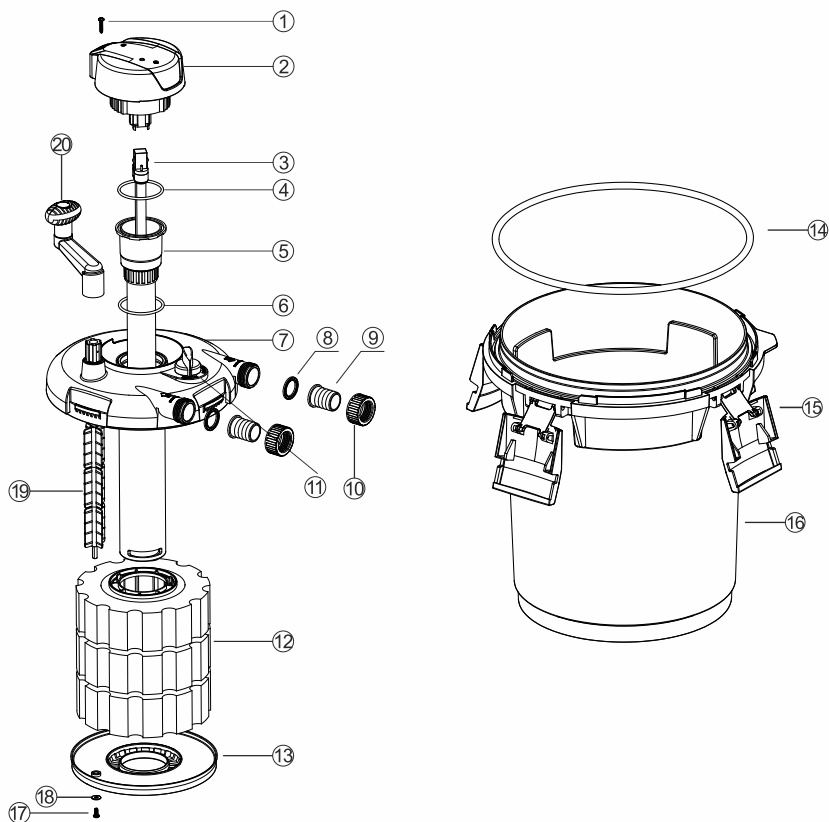
Point d'auto-nettoyage



Point de sortie d'eau



DIAGRAMME DES PIÈCES



1 TÊTE DE VIS

2 COUVERCLE DE TÊTE UV

3 LAMPE UV

4 JOINT TORIQUE

5 QUARTZ UV

6 JOINT TORIQUE UV

7 COUVERCLE DE PFC

8 JOINT TORIQUE TUYAU À CRAN

9 TUYAU À CRAN

10 ECROU DE SORTIE

11 CADRAN DE COMMANDE DE SORTIE

12 ÉPONGES

13 PLAQUE DE FILTRATION

14 JOINT TORIQUE PRINCIPAL

15 TÊTE DE PINCES

16 CORPS DE PFC

17 VIS À TIGE

18 ROD RONDELLE

19 TIGE D'AFFICHAGE

20 POIGNÉE DE NETTOYAGE



DÉPANNAGE

Indicateur UV Non Éclairant

Si l'indicateur UV ne s'allume pas, suivez ces étapes de dépannage :

- 1 Dévissez le couvercle de la tête UV et retirez-le du corps du filtre.
- 2 Allumez le système pendant seulement quelques secondes et vérifiez si vous pouvez voir si les UV sont opérationnels (NE PAS regarder directement les UV).
- 3 Si les UV sont opérationnels, nettoyez l'indicateur UV.
- 4 Si vous constatez que la lampe UV n'est toujours pas opérationnelle, vérifiez que vous êtes alimenté par le secteur.
- 5 Si vous êtes alimenté par le secteur, essayez de changer l'ampoule UV.
- 6 Si vous constatez que la lampe UV n'est toujours pas opérationnelle, il se peut que le ballast UV présente une anomalie et vous devrez contacter le fournisseur de votre appareil pour obtenir des pièces de rechange.
- 7 Rappelez-vous que les ampoules UV utilisées dans les étangs doivent être remplacées tous les 12 mois.

Si rien de ce qui précède ne résout votre problème ou si vous avez besoin de pièces de rechange pour votre filtre, veuillez contacter le fournisseur de votre appareil.

SPÉCIFICATIONS

MODELE	PFC-3000
PUISSANCE DE L'UV	9
DIMENSIONS (MM)	250x250x407
VOLUME DU CORPS DE FILTRE	8L
DEBIT MAX (LITRES)	4000
ADAPTATEUR DE TUYAU D'ENTREE / DE SORTIE	3/4" - 1"
LONGUEUR DU CABLE	5m (prise de courant non inclus)
TENSION	220-240v / 50Hz



GARANTIE

La gamme de filtres PFC All Pond Solutions est garantie contre les défauts de matériaux ou de fabrication dans des conditions normales d'utilisation des bassins et est fournie avec une garantie de 24 mois pour toutes les pièces électriques. La période de garantie commence à compter de la date d'achat.

Si vous avez besoin d'aide pour utiliser votre appareil, remplacer des pièces de rechange ou que votre filtre présente une anomalie pendant la période de garantie, veuillez contacter le fournisseur de votre appareil.

Les pièces non remplaçables, non périssables et non réparables seront réparées ou remplacées gratuitement, une fois que l'unité sera retournée avec tous les composants, avec une preuve d'achat valide et les frais de port payés. Nous nous réservons le droit de remplacer ou de réparer l'unité à notre discrétion.

Sachez que les pièces périssables soumises à l'usure normale, telles que les turbines, les couvercles de turbine, les joints de moteur et les ampoules UV, ne sont pas couvertes par la garantie et que des frais peuvent être facturés pour les remplacer.

Cette garantie ne s'applique pas aux appareils ayant fait l'objet d'une mauvaise utilisation, de dommages accidentels, de négligence, de falsification ou de personnalisation. Il ne s'applique pas aux appareils mal assemblés, mal entretenus ou mal tenus de respecter les instructions et les consignes de sécurité de ce manuel.

Aucune responsabilité n'est assumée en ce qui concerne la perte ou les dommages causés au bétail ou aux biens, quelle qu'en soit la cause.

Veuillez vous assurer que seuls les composants d'origine All Pond Solutions sont utilisés lors du remplacement ou de la réparation. Les pièces de rechange sont disponibles sur notre site officiel ou auprès de votre fournisseur local.

Avant de retourner votre appareil sous garantie, vérifiez que toutes les instructions de configuration et de maintenance ont été correctement suivies. En cas de doute, veuillez contacter votre revendeur de produits aquatiques local pour obtenir des conseils avant de renvoyer le produit.

Cela n'affecte pas vos droits statutaires.



Para asegurarse de que su nuevo filtro para estanque esté montado y funcionando correctamente, y para prevenir cualquier daño o lesión accidental, por favor lea y siga cuidadosamente las siguientes instrucciones antes de utilizar su producto.

SEGURIDAD

¡Importante! Desconecte la red eléctrica antes de intentar cualquier tipo de instalación / mantenimiento. No intente modificar esta unidad de ninguna manera y solo utilice las partes recomendadas para reemplazo.

- El filtro para estanque nunca debe de funcionar en seco ya que esto podría provocar que la unidad se sobrecaliente y causar un daño permanente.
- Todas las conexiones deben conectarse a tierra.
- El cable de corriente de este aparato no debe ser reemplazado; si el cable es dañado, el aparato debe ser desechado. Nunca corte el cable.
- No conecte a ningún voltaje diferente al establecido.
- Este filtro es apto únicamente para estanques exteriores. No se coloque en líquidos que no sean agua.
- No se utilice con agua por encima de 90F o 30C.
- No cargue o tire de la unidad por su cable eléctrico.
- No utilice esta unidad si tiene un cable o enchufe dañado, si no está funcionando correctamente o si se tira o es dañado de cualquier forma.
- No intente modificar esta unidad de ninguna manera y solo utilice las partes recomendadas por el fabricante para reemplazo.
- Antes de instalarse, darle mantenimiento o manipular su equipo, o antes de colocar sus manos en su estanque, asegúrese de que la unidad esté desconectada de la red eléctrica.
- Siempre desconecte cualquier equipo eléctrico cuando no lo esté utilizando.
- Examine cuidadosamente su filtro después de la instalación. No conecte la unidad a la red eléctrica si hay agua en cualquiera de las partes que no deberían de estar mojadas.
- Nunca mire directamente a la luz UV cuando esté en operación.
- Antes de operar el filtro para estanque, observe que el agua esté fluyendo a través de el – la luz UV requiere de un flujo constante para evitar sobrecalentarse.



- Si colocará su filtro PFC en la superficie del suelo, asegúrese de que el filtro para estanque se encuentre al menos a 2 metros de la orilla del estanque. Si el filtro será enterrado, puede colocarse más cerca del agua.
- Para evitar lesiones, no toque las partes calientes o móviles tales como, pero no limitados a, calentadores, reflectores, bombillas UV o impulsores.
- Durante el mantenimiento, asegúrese de que todos los anillos conectores estén presentes e intactos.
- Si la unidad muestra cualquier señal de fuga de agua, o si la unidad DDR se apaga, desconecte la unidad de la fuente de poder y consulte con el proveedor al que compró esta unidad.
- No instale ni almacene esta unidad en lugares en los que podría estar expuesto a temperaturas de 0°C / 32°F. En condiciones de frío extremo, remueva y almacene la unidad en un área protegida, asegurándose de drenar toda el agua del filtro.
- No entierre el cable de corriente de esta unidad. Asegúrese de que no sea un riesgo de tropiezo o de que esté en riesgo de dañarse a causa de podadoras de césped, desbrozadoras u otros equipos de jardinería.
- Este es un producto impermeable pero NO sumergible – no sumerja el producto en agua. Si el aparato cae al agua, NO intente tomarlo – desconéctelo de su unidad DDR y después tómelo.

Por favor, considere – este aparato puede ser usado por niños de 8 años en adelante y por personas con capacidades físicas, sensoriales o mentales reducidas, o que carecen de experiencia y conocimiento si se les supervisa o instruyen respecto al uso de este aparato de forma segura y comprendan los riesgos involucrados. Los niños no deben jugar con el aparato. La limpieza y mantenimiento no debe ser realizada por niños sin supervisión.

SÍMBOLOS DE SALIDAS



Punto de entrada de agua



Punto de salida de agua



Punto de autolimpieza



ELÉCTRICO

Esta unidad incluye un suministro generoso de cable de 3 núcleos, pero, si se requiere de cable adicional, es esencial el uso de un conector de cable resistente al agua aprobado. Un cable con una capacidad menor de amperes o Voltaje que el requerido por el aparato podría sobrecalentarse.

Por favor asegúrese:

- La fuente de poder debe conectarse a tierra y con fusible de 3amps.
- Examine regularmente el cable por daño y deterioro.
- No conecte a ningún voltaje más que al indicado.
- Consulte con un electricista calificado si tiene duda de algún aspecto del cableado.
- Para mayor seguridad se utiliza un dispositivo diferencial residual (DDR).
- Cumpla con las regulaciones de la autoridad local de electricidad si instalará permanentemente a la red eléctrica.

Por favor asegúrese: La fuente de poder debe conectarse a tierra y con fusible de 3amps. Examine regularmente el cable por daño y deterioro. Consulte con un electricista calificado si tiene duda de algún aspecto del cableado.

ELIGIENDO LA UBICACIÓN DE SU FILTRO

- La presión de su unidad depende de muchos factores, tales como ubicación (altura y distancia desde el estanque), energía y ubicación de la bomba conectada (L/H), profundidad del estanque, densidad de población y dimensiones de la manguera. Para mejorar la calidad del agua de estanque, recomendamos considerar estos factores para asegurar una máxima eficiencia y evitar una baja presión de retorno.
- Si colocará su filtro PFC en la superficie del suelo, asegúrese de que el filtro para estanque se encuentre al menos a 2 metros de la orilla del estanque. Si el filtro será enterrado, puede colocarse más cerca del agua.
- Coloque su filtro en una superficie resistente y nivelada, que esté bien ventilada y que no tenga riesgo de inundarse.
- Para evitar que se sobrecaliente, asegúrese de que el filtro no esté cubierto y que no reciba luz solar de forma directa.
- Coloque el filtro de tal manera que la manguera conectada al Punto de Entrada de Agua y los Puntos de Salida de Agua no estén doblados ni obstruidos.



- El filtro puede ser enterrado hasta el borde del cabezal de la unidad. Asegúrese de que el acceso al cuerpo del sistema sea posible para propósitos de mantenimiento. Enterrar la unidad ayudará a reducir la distancia entre el filtro y el estanque, y proveerá una mayor presión de agua de retorno.

INSTALACIÓN Y USO

Por favor lea las siguientes instrucciones cuidadosamente antes de comenzar a montar su filtro. **NO CONECTE LA UNIDAD A LA RED ELÉCTRICA HASTA QUE EL MONTAJE ESTÉ COMPLETO Y LA UNIDAD ESTÉ LLENA DE AGUA.**

- 1 Antes de instalar la unidad, examine el tubo de cuarzo y la bombilla UV para asegurarse de que no se han dañado durante su transporte (vea la sección de mantenimiento). Manéjese con cuidado. No sostenga la bombilla UV con las manos descubiertas, ya que esto podría afectar su desempeño.
- 2 Conecte los accesorios requeridos – Tome los conectores requeridos (dependiendo de las dimensiones de su manguera flexible) y únalos al filtro (utilice tuercas y anillos conectores en conjunto para sellar correctamente). En los conectores dentados, si utiliza una manguera más grande que su paso más pequeño, necesitará cortar el conector para evitar restringir el flujo de agua.
- 3 Coloque el filtro – a menos de que esté enterrando la unidad, asegúrese de que el filtro esté colocado junto a su estanque (al menos a 2 metros de distancia del agua).
- 4 Conecte su manguera flexible al filtro- conecte su manguera flexible a los conectores. Conecte de forma segura utilizando ya sea abrazaderas / pinzas de cable de acero para asegurarse de que sea hermético. Deberá unir su bomba (no incluida) al “punto de entrada de agua”. El “punto de salida de agua” deberá dirigir al agua ya sea de vuelta al estanque o a la cascada adyacente. Apunte la perilla de dirección del agua hacia el “punto de entrada de agua” y “punto de salida de agua”.
- 5 Conecte el filtro a la red eléctrica – Conecte la unidad a la red eléctrica utilizando un dispositivo diferencial residual (DDR) para mayor seguridad.



- 6 Encienda su bomba – encienda su bomba e inspeccione visualmente que cuenta con el flujo esperado de agua a través del filtro. Verifique visualmente que no tenga fugas.
- 7 Encienda su filtro en la red eléctrica – ya que haya verificado visualmente que la unidad cuenta con el flujo requerido de agua, puede encender la operación UV encendiendo la unidad en la red eléctrica.

OPERACIÓN UVC

- Siempre asegúrese que el filtro tenga agua fluyendo antes de operar la UV.
- Nunca mire directamente a la luz UV cuando esté en funcionamiento.
- Revise visualmente que la UV esté funcionando usando el indicador UV.

MANTENIMIENTO

Para asegurar un desempeño óptimo y para que su unidad funcione correctamente, es esencial darle un mantenimiento periódico. No hacerlo podría resultar en daño a la unidad y podría anular su garantía.

Se recomienda un programa de limpieza y mantenimiento periódico para garantizar un cuidado de peces responsable. Dependiendo del volumen y densidad de población de su estanque, la limpieza regular del material filtrante, espumas, impulsores y de las tuberías de entrada/salida, ayudará a garantizar que el producto funcione eficientemente y que el estanque permanezca saludable.

Para más información de mantenimiento, por favor vea la siguiente tabla con información adicional:

	1 MES	3 MESES	6 MESES	ANNUALMENTE
Toda la tubería	Limpiar e Inspeccionar			
Mangueras				Limpiar e Inspeccionar
Manija de limpieza			Lubricar y limpiar	
Anillos conectores	Limpiar e Inspeccionar	Lubricar y limpiar		Reemplazar
Espumas filtrantes	Limpiar e Inspeccionar		Reemplazar	
Bombilla UV			Reemplazar	
Tubo de cuarzo			Limpiar e Inspeccionar	Reemplazar cada 2 años



Anillos Para Conectores

Es vital que los anillos para conectores se inspeccionen y reemplacen periódicamente ya que el sello hermético de goma se deteriora con el paso del tiempo, lo que podría causar que su unidad tenga fugas. Antes de reemplazar sus anillos para conectores, asegúrese de que estén bien lubricados.

Mantenimiento Del Filtro

En general, se recomienda desconectar el filtro y limpiar las tuberías, impulsores y material filtrante de forma mensual. Conforme pasa el tiempo, las tuberías se pueden bloquear con desechos y mucosas proteínicas, por lo que es importante realizar una limpieza periódica para tener un desempeño óptimo.

Por supuesto, la frecuencia de limpieza e inspección de su unidad dependerá de diversos factores, tales como qué tan sucia esté el agua cuando comience a usar por primera vez su filtro, el volumen y la densidad de población de su estanque. Qué tan seguido alimente a sus peces y los niveles de luz estacionales también afectarán qué tan rápido se ensucie el agua de su estanque y tendrá que tenerse en consideración cuando planee su programa de limpieza del filtro.

Material Filtrante

El material filtrante proporcionado con su filtro y su ubicación dentro del cuerpo del filtro están diseñados para dar una filtración óptima y completa a su estanque.

Espojas del Filtro	Filtración Mecánica	Elimina pequeñas partículas de desecho del agua
Bio Bolas	Filtración Biológica	Crea un ambiente para que las nitro-bacterias se cultiven y ayuden a oxigenar el agua

¡Importante! Siempre use agua de su estanque para limpiar las esponjas y material filtrante de su filtro. No utilice agua corriente ni productos de limpieza para limpiar sus materiales.

Cuando reemplace al material de su filtro, no reemplace más del 50% de su material al mismo tiempo. Esto es para asegurarse de que las bacterias nitrificantes presentes en el material antiguo sean capaces de reproducirse en el nuevo material filtrante.



Proceso De Limpieza Centrífuga

Se recomienda que realice el "Proceso de limpieza centrífuga" cada 2 semanas para asegurar la continua efectividad del filtro. Dependiendo del volumen y densidad de población de su estanque, esto puede ser necesario con mayor o menor frecuencia.

De nuevo, dependiendo de los factores mencionados, querrá realizar una limpieza profunda de las espumas incluidas y del interior del cuerpo del filtro 2-3 veces por año.

- 1 Apague su filtro de la corriente eléctrica.
- 2 Apague su bomba – apague su bomba e inspeccione visualmente que no tenga flujo de agua a través del filtro PFC.
- 3 Conecte la manguera flexible al "Punto de limpieza centrífuga" – conecte su manguera flexible al conector del "Punto de limpieza centrífuga". Conecte de forma segura utilizando ya sea abrazaderas / pinzas de cable de acero para asegurarse de que sea hermético.
- 4 Dirija el desecho – dirija la manguera flexible de aguas residuales de su "Punto de limpieza centrífuga" a una ubicación apropiada. Coloque su "dial de control de salida" en la posición "Punto de limpieza centrífuga".
- 5 Encienda su bomba – encienda su bomba e inspeccione visualmente que tenga el flujo de agua esperado a través del filtro PFC. Verifique que no tenga fugas.
- 6 Conecte la "Manija de Auto Limpieza" y haga una limpieza centrífuga – conecte la "Manija de Auto Limpieza" proporcionada a la parte superior de la unidad. Gire la manija en cualquier dirección para sacar los desechos de sus espumas filtrantes.
- 7 Regrese el filtro a su operación normal – apunte la perilla de dirección del agua hacia su Punto de Entrada de Agua y Punto de Salida de Agua. Verifique visualmente que no tenga fugas. Inspeccione que tenga el flujo de agua esperado a través de su filtro. Enciéndalo en la red eléctrica.

Mantenimiento De Limpieza Profunda

Toda limpieza interna debe de realizarse usando agua del estanque, lejos del mismo.

- 1 **Remueva la tapa del filtro** – desabroche las abrazaderas superiores y remueva. Quite la tapa PFC de la unidad y colóquela al revés en una superficie plana.



- ② **Remueva las esponjas del filtro** – destornille la Bandeja del Filtro y Soporte de la Bandeja. Ahora puede remover las esponjas del filtro de la tapa PFC.
- ③ **Limpie las esponjas del filtro** – limpie las esponjas del filtro usando agua de su estanque y cámbielas. Reconecte la Bandeja del Filtro y Soporte de la Bandeja.
- ④ **Limpie los materiales biomecánicos** – Enjuague a través de sus bio bolas en el fondo del cuerpo del filtro.
- ⑤ **Limpie el cuerpo y todos los accesorios.**
- ⑥ **Reensamble.**

Reemplazar La Bombilla UV

NUNCA mire directamente a la luz UV.

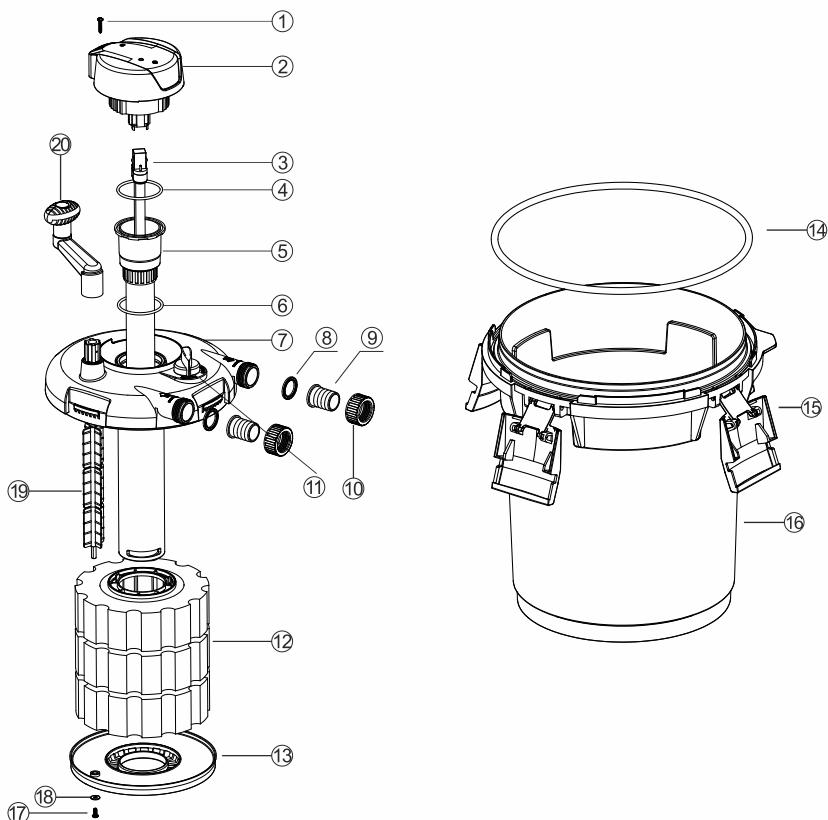
Cuando reemplace su bombilla UV, aproveche este tiempo para limpiar su tubo de cuarzo y examinar cuidadosamente si tiene algún daño o grieta. Tenga cuidado cuando tome el tubo de cuarzo y bombilla UV para evitar cualquier daño al vidrio.

- ① Destornille la cubierta de la cabeza UV de la tapa PFC y retirela de la unidad.
- ② Gire la Tuerca de Cuarzo UV para liberar el cuarzo UV de la cabeza. Remueva la bombilla UV y reemplace.
- ③ Reinserte el cuarzo UV y gire la Tuerca de Cuarzo UV para asegurarlo.

¡importante! Verifique regularmente que su luz UV esté funcionando mirando en el indicador de luz UV ubicado en la parte superior de la tapa del filtro. Siempre cambie su bombilla UV cada seis meses independientemente de si funciona o no, ya que su desempeño habrá disminuido para este momento.



DIAGRAMA DE PARTES



1 TORNILLOS

2 CUBIERTA DE LA CABEZA UV

3 LÁMPARA UV

4 ANILLO

5 CUARZO UV

6 ANILLO PARA UV

7 TAPA PFC

8 ANILLO PARA CONECTOR

9 CONECTORES

10 TUERCA PARA SALIDA

11 DIAL DE CONTROL DE SALIDA

12 ESPONJAS

13 BANDEJA DEL FILTRO

14 ANILLO DE CABEZA PRINCIPAL

15 ABRAZADERA DE CABEZA

16 CUERPO PFC

17 TORNILLO PARA VARILLA

18 RONDANA PARA VARILLA

19 VARILLA DE VISUALIZACIÓN

20 MANIJA DE LIMPIEZA



SOLUCIÓN DE PROBLEMAS

El Indicador UV No Se Enciende

Si el indicador UV no se enciende, siga los siguientes pasos:

- 1 Destornille la cubierta de la cabeza UV y quite la cubierta junto con la bombilla UV y el cuarzo del cuerpo del filtro.
- 2 Por solo unos cuantos segundos, encienda el sistema y revise si puede ver que el UV está funcionando (NO mire directamente al UV).
- 3 Si el UV está funcionando, limpie el indicador UV.
- 4 Si descubre que la luz UV sigue sin funcionar, verifique que tenga energía de la red eléctrica.
- 5 Si tiene energía de la red eléctrica, intente cambiar la bombilla UV.
- 6 Si descubre que la luz UV aún no está funcionando, el lastre UV puede tener una falla. Necesitará contactar al proveedor de su unidad para obtener partes de reemplazo.
- 7 Por favor recuerde que las bombillas UV para estanques deben ser reemplazados cada 12 meses.

Si nada de lo anterior soluciona su problema, o si requiere de repuestos para su filtro, por favor contacte al proveedor de su unidad.

ESPECIFICACIONES

MODELO	PFC-3000
POTENCIA UV (VATAJE)	9
DIMENSIONES (MM)	250x250x407
VOLUMEN DEL CUERPO DEL FILTRO	8L
CAUDAL MÁXIMO (LITROS)	4000
ADAPTADOR MANGUERA ENTRADA / SALIDA	3/4" - 1"
LONGITUD CABLE	5m (tapon no incluido)
VOLTAJE	220-240v / 50Hz



GARANTÍA

La línea de filtros PFC de All Pond Solutions está garantizada contra defectos en los materiales o de mano de obra bajo un uso regular del estanque e incluye una garantía de 24 meses en todas las partes eléctricas. El periodo de garantía comienza a partir de la fecha de compra.

Si requiere soporte sobre cómo utilizar su aparato, partes de reemplazo o si su filtro desarrolla una falla durante el periodo de garantía, por favor contacte al proveedor de su unidad.

Las partes no reemplazables, no perecederas y que no puedan recibir mantenimiento serán reparadas o reemplazadas sin cargo alguno una vez que la unidad sea devuelta con todos los componentes, así como con una prueba de compra válida y con gastos de envío pagados. Nos reservamos el derecho a reparar o reemplazar la unidad a nuestra discreción.

Por favor considere que las partes perecederas que son sujetas a un uso y desgaste normal, tales como impulsores, protectores de impulsores, sellos de motor y bombillas UV, no están cubiertas por su garantía y podrá ser necesario realizar un cargo para reemplazarlas.

Esta garantía no aplica a cualquier unidad que ha sido sujeta a un mal uso, daño accidental, negligencia o alteración o personalización. No aplica a unidades que han sido ensambladas erróneamente, que no han recibido un mantenimiento apropiado, o en las que las instrucciones e información de seguridad no se han seguido correctamente.

No se asume ninguna responsabilidad con respecto a la pérdida o daño al ganado o propiedades personales independientemente de la causa.

Por favor asegúrese de que solo se utilicen componentes genuinos de All Pond Solutions cuando esté realizando un reemplazo o reparación. Las partes de reemplazo están disponibles en nuestro sitio web oficial o con su proveedor local.

Antes de regresar su unidad bajo los términos de esta garantía, verifique que haya seguido toda la configuración e instrucciones de mantenimiento correctamente. Si tiene dudas, por favor contacte con su proveedor acuático local para más información antes de regresar el producto.

Esto no afecta sus derechos legales.



Um sicherzustellen, dass Ihr neuer Teichfilter richtig aufgebaut und betrieben wird und um unbeabsichtigte Schäden oder Verletzungen zu vermeiden, lesen und befolgen Sie bitte diese Anweisungen sorgfältig, bevor Sie Ihr Produkt verwenden.

SICHERHEIT

Wichtig! Trennen Sie die Stromversorgung, bevor Sie irgendeine Installation/Wartung durchführen. Versuchen Sie nicht, dieses Gerät in irgendeiner Weise zu modifizieren und verwenden Sie nur die empfohlenen Teile zum Austausch.

- Der Teichfilter sollte niemals trocken laufen, da dies zu einer Überhitzung des Gerätes und zu dauerhaften Schäden führt.
- Alle Stromverbindungen müssen geerdet sein.
- Das Netzkabel dieses Geräts kann nicht ersetzt werden; wenn das Kabel beschädigt ist, sollte das Gerät entsorgt werden. Niemals das Kabel durchtrennen.
- Schließen Sie keine andere Spannung als die angegebene an.
- Dieser Filter ist nur für Außenteiche geeignet. Nicht in andere Flüssigkeiten als Wasser tauchen.
- Nicht mit Wasser über 90F oder 30C verwenden.
- Tragen oder ziehen Sie das Gerät nicht am Stromkabel.
- Verwenden Sie dieses Gerät nicht, wenn es ein beschädigtes Kabel hat, wenn es nicht funktioniert oder wenn es heruntergefallen ist oder in irgendeiner Weise beschädigt wurde.
- Versuchen Sie nicht, dieses Gerät in irgendeiner Weise zu verändern und verwenden Sie nur vom Hersteller empfohlenes Zubehör und Teile.
- Bevor Sie Ihre Geräte installieren, warten, anfassen oder bevor Sie Ihre Hände in Ihren Teich geben, stellen Sie sicher, dass das Gerät vom Stromnetz getrennt ist.
- Trennen Sie bei Nichtgebrauch immer alle elektrischen Geräte.
- Überprüfen Sie Ihren Filter nach der Installation sorgfältig. Verbinden Sie das Gerät nicht mit dem Strom, wenn sich Wasser auf Teilen befindet, die nicht nass werden sollen.
- Sehen Sie nicht direkt in das UV-Licht, wenn es in Betrieb ist.



- Sie sollten vor dem Betrieb des Teichfilters überprüfen, ob das Wasser durchströmt - das UV-Licht erfordert konstant Wasser, um Überhitzung zu vermeiden.
- Wenn Sie Ihren PFC-Filter über dem Boden positionieren, dann stellen Sie sicher, dass sich der Teichfilter mindestens 2 Meter vom Rand des Teichs entfernt befindet. Wenn der Filter in den Boden versenkt wird, kann er näher am Wasser positioniert werden
- Um Verletzungen zu vermeiden, berühren Sie keine heißen oder beweglichen Teile, wie z.B. Heizkörper, Reflektoren, UV-Lampen oder Laufräder.
- Während der Wartung sicherstellen, dass alle O-Ringe vorhanden und intakt sind.
- Wenn das Gerät Anzeichen von Wasseraustritt aufweist oder sich die RCD-Einheit ausschaltet, dann trennen Sie das Gerät vom Strom und wenden Sie sich an den Händler, bei dem Sie das Gerät gekauft haben.
- Installieren oder lagern Sie das Gerät nicht an Orten, an denen es Temperaturen in nahe 0 °C / 32 °F ausgesetzt ist. Entfernen Sie das Gerät bei Frost und bewahren Sie es an einem geschützten Ort auf und stellen Sie sicher, dass das gesamte Wasser aus dem Filter abgelassen wurde.
- Vergraben Sie das Kabel für dieses Gerät nicht. Stellen Sie sicher, dass es nicht zu einer Stolpergefahr oder zu einer Gefährdung durch Schäden von Rasenmähern, Trimmern oder andere Gartengeräten kommt.
- Es handelt sich um ein wetterfestes Produkt, aber NICHT UM EIN Unterwasserprodukt. Tauchen Sie das Produkt nicht in Wasser. Wenn das Gerät ins Wasser fällt, greifen Sie NICHT danach - trennen Sie es von Ihrer RCD-Einheit und holen Sie es heraus.

Bitte beachten - Dieses Gerät kann von Kindern ab 8 Jahren und darüber, sowie von Personen mit reduzierten physischen, sensorischen oder mentalen Fähigkeiten oder Mangel an Erfahrung und/oder Wissen benutzt werden, wenn sie beaufsichtigt oder bezüglich des Gebrauchs des Gerätes unterwiesen wurden und die daraus resultierenden Gefahren verstanden haben. Kinder dürfen nicht mit dem Gerät spielen. Eine Wartung darf nicht von Kindern ohne Aufsicht durchgeführt werden.



ELEKTRIK

Dieses Gerät wird komplett mit einem langen, 3-adrigen Kabel geliefert. Sollte jedoch ein zusätzliches Kabel benötigt werden, ist die Verwendung eines zugelassenen wasserdichten Kabelsteckers mit entsprechender Leistung unerlässlich. Ein Kabel, das für weniger Ampere oder Watt als die Geräteleistung ausgelegt ist, kann sich überhitzen.

Bitte stellen Sie folgendes sicher:

- Die Stromversorgung ist bei 3 Ampere geerdet und abgesichert.
- Überprüfen Sie das Kabel regelmäßig auf Beschädigungen und Verschleiß.
- Schließen Sie keine andere Spannung als die angegebene an.
- Im Zweifelsfall wenden Sie sich an einen qualifizierten Elektriker.
- Eine Fehlerstrom-Schutzeinrichtung (RCD) dient der zusätzlichen Sicherheit
- Sie haben die Vorschriften der örtlichen Elektrizitätsbehörde eingehalten, falls Sie das Gerät dauerhaft an das Stromnetz anschließen.

Bitte beachten Sie: Das Netzteil muss geerdet und mit 3 Ampere abgesichert sein. Überprüfen Sie das Kabel regelmäßig auf Beschädigungen und Verschleiß. Im Zweifelsfall wenden Sie sich an einen qualifizierten Elektriker.

WÄHLEN SIE IHREN FILTERSTANDORT

- Der Druck Ihres Geräts hängt von vielen Faktoren ab, z. B. Lage (Höhe und Entfernung vom Teich), Leistung und Position der angeschlossenen Pumpe (L/H), Teichhöhe, Materialdichte und Schlauchlänge. Wir empfehlen, diese Faktoren zu berücksichtigen, um die Qualität des Teichwassers zu verbessern, eine maximale Effizienz zu gewährleisten und einen niedrigen Rücklaufdruck zu vermeiden.
- Wenn Sie den Filter oberirdisch positionieren, vergewissern Sie sich, dass er sich mindestens 2 Meter vom Teichrand entfernt befindet. Wenn Ihr Filter in den Boden versenkt wird, können Sie das Gerät näher am Wasser positionieren.
- Stellen Sie den Filter auf eine ebene und stabile Oberfläche, die gut belüftet und nicht überflutungsgefährdet ist.
- Stellen Sie sicher, dass der Filter nicht abgedeckt und vor direkter Sonneneinstrahlung geschützt ist, um Überhitzung zu vermeiden.
- Positionieren Sie den Filter so, dass der an den Wassereinlass- und Wasserauslass angeschlossene Schlauch nicht verbogen oder blockiert wird.



- Der Filter kann bis an den Kopfrand des Geräts vergraben werden. Stellen Sie sicher, dass der Zugriff zu Wartungszwecken auf das Systemgehäuse möglich ist. Durch das Eingraben des Geräts wird der Abstand zwischen Filter und Teich verringert und ein höherer Rücklaufwasserdruck erreicht.

INSTALLATION & VERWENDUNG

Bitte lesen Sie die folgenden Anweisungen sorgfältig durch, bevor Sie mit der Einrichtung Ihres Filters beginnen. **SCHLIESSEN SIE DAS GERÄT ERST DANN AN DEN STROM AN, WENN DIE EINRICHTUNG ABGESCHLOSSEN IST UND DAS GERÄT MIT WASSER GEFÜLLT IST.**

- 1 Überprüfen Sie vor der Installation des Geräts die Quarzhülse und die UV-Lampe, um sicherzustellen, dass diese beim Transport nicht beschädigt wurden (siehe Abschnitt Wartung). Vorsichtig behandeln. Berühren Sie die UV-Lampe nicht mit bloßen Händen, da dies die Leistung beeinträchtigen kann.
- 2 Schließen Sie das erforderliche Zubehör an - Wählen Sie die erforderlichen Schläuche (abhängig von den Maßen Ihres flexiblen Schlauchs) und befestigen Sie sie am Filter (mit Mutter und O-Ring in Reihe dicht verschließen). Bei gestuften Rohrstutzen müssen Sie, wenn Sie einen Schlauch verwenden, der größer als die kleinste Abmessung ist, die Schlauchleitungen reduzieren, um den Wasserfluss nicht zu behindern.
- 3 Positionieren Sie den Filter. Stellen Sie sicher, dass sich der Filter neben Ihrem Teich befindet (mindestens 2 Meter vom Wasser entfernt), wenn Sie das Gerät nicht eingraben.
- 4 Schließen Sie Ihren flexiblen Schlauch an den Filter an - verbinden Sie Ihren flexiblen Schlauch mit den Rohrstutzen. Mit Rohrschellen / Kabelbindern befestigen, um sicherzustellen, dass die Verbindungen wasserdicht sind. Ihre Pumpe (nicht im Lieferumfang enthalten) sollte am "Wassereinlass" angeschlossen sein. Der "Wasserauslass" sollte Wasser entweder zurück in Ihren Teich oder zu einem Wasserfall leiten, der an den Teich führt. Richten Sie den Wasserrichtungsknopf in Richtung "Wassereinlass" und "Wasserauslass".
- 5 Schließen Sie den Filter an den Strom an - Schließen Sie das Gerät mit einer Fehlerstrom-Schutzeinrichtung (RCD) zur zusätzlichen Sicherheit an das Stromnetz an.



- 6 Schalten Sie Ihre Pumpe ein - Schalten Sie Ihre Pumpe ein und prüfen Sie visuell, dass der Wasserfluss durch den Filter wie erwartet ist. Stellen Sie sicher, dass kein Leck vorliegt.
- 7 Schalten Sie Ihren Filter ein - Überprüfen Sie zuerst visuell, ob das Gerät mit dem erforderlichen Wasserdurchfluss versorgt wird. Sie können das UV-Licht durch den Schalter am Geräts einschalten.

UVC-BETRIEB

- Stellen Sie vor dem Betrieb des UV-Geräts immer sicher, dass der Filter mit Wasser durchströmt wird.
- Sehen Sie während des Betriebs niemals direkt in das UV-Licht.
- Prüfen Sie mit Hilfe der UV-Anzeige visuell, ob das UV-Gerät in Betrieb ist.

WARTUNG

Um eine optimale Leistung und die korrekte Funktion Ihres Gerätes zu gewährleisten, ist eine regelmäßige Wartung unerlässlich. Andernfalls kann es zu Schäden an Ihrem Gerät und zum Erlöschen der Garantie kommen.

Wir empfehlen, dass ein regelmäßiger Reinigungs- und Wartungsplan eingehalten wird, um eine verantwortungsvolle Fischhaltung sicherzustellen. Abhängig von Wasservolumen und Bestand trägt die regelmäßige Reinigung der Filtermedien, Schäume, Laufräder, Ein- und Auslaufleitungen dazu bei, dass das Produkt effizient funktioniert und Ihr Teich gesund bleibt.

Weitere Hinweise zur Wartung finden Sie in der Tabelle und in den Zusatzinformationen unten:

	1 MONAT	3 MONATE	6 MONATE	JÄHRLICH
Alle Rohre	Reinigen & Prüfen			
Schläuche				Reinigen & Prüfen
Reinigungsgriff			Schmieren & Reinigen	
O-Ringe	Reinigen & Prüfen	Schmieren & Reinigen		Ersetzen
Filterschäume und andere Medien	Reinigen & Prüfen		Ersetzen	
UV-Lampe			Ersetzen	
Quarzhülse			Reinigen & Prüfen	nach 2 Jahren ersetzen



O-Ringe

Es ist wichtig, dass die O-Ringe regelmäßig überprüft und ausgetauscht werden, da die wasserdichte Gummidichtung mit der Zeit verfällt, was dazu führen kann, dass Ihr Gerät ausläuft. Bevor Sie Ihre O-Ringe austauschen, stellen Sie sicher, dass sie gut geschmiert sind.

Wartung Der Filter

Im Allgemeinen wird empfohlen, Ihren Filter abzutrennen und die Rohre, das Laufrad und die Filtermedien monatlich zu reinigen. Die Rohrleitungen werden mit der Zeit durch Abfall und Proteinschlamm verstopft, so dass eine regelmäßige Reinigung für eine optimale Leistung wichtig ist.

Die Häufigkeit, mit der Sie Ihr Gerät reinigen und inspizieren müssen, hängt natürlich von vielen Faktoren ab, wie z.B. wie schmutzig das Wasser ist, wenn Sie zum ersten Mal Ihren Filter verwenden, dem Teichvolumen und auch wie viele Fische Sie haben. Wie oft Sie Ihre Fische füttern und die saisonale Stärke der Beleuchtung wirkt sich auch darauf aus, wie schnell Ihr Teichwasser schmutzig wird und muss bei der Planung berücksichtigt werden, wie oft Sie Ihren Filter reinigen.

Filtermedien

Die mit Ihrem Filter und dessen Positionierung im Filtergehäuse gelieferten Filtermedien sind so konzipiert, dass sie eine vollständige und optimale Filtration für Ihren Teich ermöglichen

Filterschwämme	Mechanische Filtration	Entfernt kleine Schmutzpartikel aus dem Wasser
Bio-Bälle	Biologische Filtration	Schafft eine Umgebung, in der Nitrobakterien das Wasser kultivieren und mit Sauerstoff versorgen können.

Wichtig! Verwenden Sie zur Reinigung Ihrer Filterschwämme immer Wasser aus Ihrem Teich. Verwenden Sie zur Reinigung Ihrer Medien kein Leitungswasser oder Reinigungsmittel.

Wenn Sie Medien in Ihrem Filter austauschen, sollten Sie nicht mehr als 50% Ihrer Medien auf einmal ersetzen. Dadurch wird sichergestellt, dass sich die in den Altmedien vorhandenen Nitrifikationsbakterien in den neuen Filtermedien wieder ansiedeln können.



Spin-Clear Reinigungsvorgang

Es wird empfohlen, dass Sie alle zwei Wochen die "Spin-Clear-Reinigung" durchführen, um die weitere Wirksamkeit des Filters sicherzustellen. Abhängig von Ihrem Teichvolumen und Ihrem Fischbestand muss dies möglicherweise öfter oder seltener durchgeführt werden.

Abhängig von den oben genannten Faktoren sollten Sie die enthaltenen Schaumstoffe und das Innere des Filtergehäuses 2-3 Mal pro Jahr gründlich reinigen

- 1 Schalten Sie Ihren Filter aus.
- 2 Schalten Sie Ihre Pumpe aus - Schalten Sie Ihre Pumpe aus und prüfen Sie visuell, dass kein Wasser durch den PFC-Filter fließt.
- 3 Schließen Sie den flexiblen Schlauch an den Anschluss "Spin-Clear" an - Verbinden Sie Ihren flexiblen Schlauch mit dem Rohrstutzen am Anschluss "Spin-Clear". Mit Rohrschellen / Kabelbindern befestigen, um sicherzustellen, dass die Verbindungen wasserdicht sind.
- 4 Abfälle sammeln - Richten Sie den flexiblen Schlauch mit Abwasser vom "Spin-Clear" auf einen geeigneten Ort. Richten Sie das "Auslass-Wählrad" auf den Anschluss "Spin-Clear".
- 5 Schalten Sie Ihre Pumpe ein - Schalten Sie Ihre Pumpe ein und prüfen Sie visuell, dass der Wasserfluss durch den PFC-Filter wie erwartet ist. Stellen Sie sicher, dass kein Leck vorliegt.
- 6 Befestigen Sie den "Selbstreinigungsgriff" und starten Sie das Spin-Clear - Bringen Sie den mitgelieferten "Selbstreinigungsgriff" an der Oberseite des Geräts an. Drehen Sie den Griff in beide Richtungen, um den Abfall aus Ihren Filterschäumen zu holen.
- 7 Bringen Sie den Filter in den Normalbetrieb zurück - Richten Sie den Wasserrichtungsknopf in Richtung Wassereinlass und Wasserauslass. Stellen Sie sicher, dass kein Leck vorliegt. Prüfen Sie, ob Sie den erwarteten Wasserfluss durch Ihren Filter haben. Wieder einschalten.

Tiefenreinigung Wartung

Alle internen Reinigungsarbeiten sollten mit Teichwasser außerhalb des Teichs durchgeführt werden.

- 1 **Nehmen Sie den Filterdeckel ab** - Lösen Sie die Kopfverschlüsse und entfernen Sie diese. Ziehen Sie den PFC-Deckel vom Gerät ab und legen Sie ihn auf eine ebene Fläche.



- 2 **Entfernen Sie die Filterschwämme** - Schrauben Sie die Filterplatte und den Plattenhalter ab. Sie können jetzt die Filterschwämme vom PFC-Deckel entfernen.
- 3 **Filterschwämme reinigen** - Reinigen Sie die Filterschwämme mit Wasser aus Ihrem Teich und tauschen Sie diese aus. Bringen Sie die Filterplatte und den Plattenhalter wieder an.
- 4 **Saubere biomechanische Medien** - Spülen Sie Ihre Biokugeln am Boden des Filtergehäuses gut ab.
- 5 **Gehäuse und alle Anbauteile reinigen.**
- 6 **Wieder zusammensetzen.**

Auswechseln Der UV-Lampe

Sehen Sie **NIEMALS** direkt in das UV-Licht.

Wenn Sie Ihre UV-Lampe austauschen, reinigen Sie Ihre Quarzhülse und prüfen Sie diese sorgfältig auf Beschädigungen oder Risse. Beim Hantieren mit der Quarzhülse und der UV-Lampe ist Vorsicht geboten, um Beschädigungen des Glases zu vermeiden.

- 1 Schrauben Sie die UV-Kopfabdeckung vom PFC-Deckel ab und heben Sie diese vom Gerät ab.
- 2 Drehen Sie die UV-Quarzmutter, um den UV-Quarz vom Kopf zu lösen. Entfernen Sie die UV-Lampe und ersetzen Sie diese.
- 3 Setzen Sie den UV-Quarz erneut ein und drehen Sie die UV-Quarzmutter fest, um diesen zu sichern.

Wichtig! Überprüfen Sie regelmäßig, ob Ihr UV-Licht betriebsbereit ist, indem Sie auf die UV-Lichtanzeige auf der Oberseite des Filterdeckels sehen. Wechseln Sie Ihre UV-Lampe immer alle sechs Monate, unabhängig davon, ob sie funktioniert, da die Leistung in diesem Stadium nachlässt.

AUSGANGS-SYMBOLS



Wassereinlass



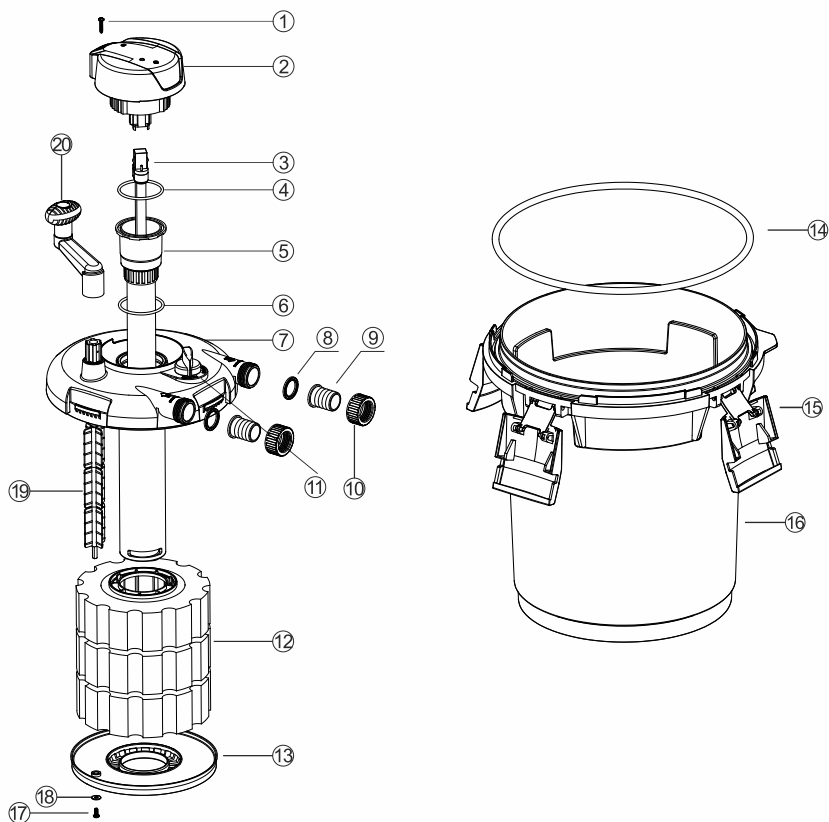
Selbstreinigung



Wasserauslass



TEILEÜBERSICHT



1 KOPFSCHRAUBE

2 UV-KOPFABDECKUNG

3 UV-LAMPE

4 O-RING

5 UV-QUARZ

6 UV O-RING

7 PFC-ABDECKUNG

8 ROHRSTUTZEN O-RING

9 ROHRSTUTZEN

10 AUSLASSMUTTER

11 AUSLASS-WÄHLRAD

12 SCHWÄMME

13 FILTERPLATTE

14 HAUPTKOPF O-RING

15 KOPFVERSCHLUSS

16 PFC-GEHÄUSE

17 RÄNDELSCHRAUBE

18 UNTERLEGSSCHEIBE

19 ANZEIGESTAB

20 REINIGUNGSGRIFF



FEHLERBEHEBUNG

UV-Anzeige Leuchtet Nicht

Wenn die UV-Anzeige nicht leuchtet, gehen Sie folgendermaßen vor:

- 1 Lösen Sie die UV-Kopfabdeckung und ziehen Sie die UV-Kopfabdeckung mit der UV-Lampe und dem Quarz vom Filtergehäuse ab.
- 2 Schalten Sie das System für einige Sekunden ein und prüfen Sie, ob das UV-Licht in Betrieb ist (sehen Sie NICHT direkt in das UV-Licht).
- 3 Wenn das UV-Licht in Betrieb ist, reinigen Sie die UV-Anzeige.
- 4 Wenn Sie feststellen, dass das UV-Licht immer noch nicht betriebsbereit ist, überprüfen Sie, ob eine Stromversorgung besteht.
- 5 Wenn der Strom korrekt angeschlossen ist, versuchen Sie, die UV-Lampe zu wechseln.
- 6 Wenn Sie feststellen, dass das UV-Licht immer noch nicht betriebsbereit ist, liegt möglicherweise ein Fehler am UV-Vorschaltgerät vor. Sie müssen sich an den Lieferanten Ihres Geräts wenden, um Ersatzteile zu erhalten.
- 7 Bitte beachten Sie, dass UV-Lampen für den Einsatz in Teichen alle 12 Monate ausgetauscht werden müssen.

Wenn keine der oben genannten Punkte Ihr Problem behebt oder Sie Ersatzteile für Ihren Filter benötigen, wenden Sie sich bitte an den Lieferanten Ihres Geräts.

TECHNISCHE DATEN

MODEL	PFC-3000
UV STROM (WATTZAHL)	9
ABMESSUNGEN (MM)	250x250x407
FILTERKÖRPER-VOLUMEN	8L
MAX. FLIESSERATE (LITER)	4000
INLET / OUTLET SCHLAUGH ADAPTOR	3/4" - 1"
KABELLÄNGE	5m (stecker nicht inbegriffen)
VOLT	220-240v / 50Hz



GARANTIE

Die All Pond Solutions PFC-Filterreihe hat eine Garantie auf Material- und Verarbeitungsfehler bei normaler Nutzung im Teich und 24 Monate Garantie auf alle elektrischen Teile. Die Garantiezeit beginnt mit dem Kaufdatum.

Wenn Sie Unterstützung bei der Verwendung Ihres Gerätes oder wegen Ersatzteilen benötigen, oder wenn Ihr Filter während der Garantiezeit einen Fehler aufweist, wenden Sie sich bitte an den Lieferanten Ihres Gerätes.

Nicht austauschbare, haltbare und nicht wartbare Teile werden kostenlos repariert oder ersetzt, sobald das Gerät zusammen mit allen Komponenten und mit einem gültigen Kaufnachweis und auf Kosten des Kunden eingeschickt wird. Wir behalten uns das Recht vor, das Gerät nach eigenem Ermessen zu ersetzen oder zu reparieren.

Bitte beachten Sie, dass haltbare Teile, die normalem Verschleiß unterliegen, wie z.B. Laufräder, Laufraddeckel, Motordichtungen und UV-Glühlampen, nicht von Ihrer Garantie abgedeckt sind und für deren Austausch eine Gebühr anfallen kann.

Diese Garantie gilt nicht für Geräte, die einem Missbrauch, einer unbeabsichtigten Beschädigung, Fahrlässigkeit, Manipulation oder einer individuellen Anpassung ausgesetzt sind. Sie gilt nicht für Geräte, die falsch montiert, unsachgemäß gewartet oder wenn die Anweisungen und Sicherheitshinweise in dieser Anleitung nicht korrekt befolgt wurden.

Es wird keine Haftung für Verluste oder Schäden an Tieren oder persönlichem Eigentum übernommen, unabhängig von der Ursache.

Bitte stellen Sie sicher, dass nur Original All Pond Solutions Komponenten verwendet werden, wenn ein Austausch oder eine Reparatur durchgeführt wird. Ersatzteile finden Sie auf unserer offiziellen Webseite oder bei Ihrem lokalen Lieferanten.

Vergewissern Sie sich, dass alle Installations- und Wartungsanweisungen korrekt befolgt wurden, bevor Sie Ihr Gerät im Rahmen der Garantiebedingungen zurücksenden. Wenn Sie Zweifel haben, wenden Sie sich bitte an Ihren örtlichen Aquaristik-Fachhändler, um weitere Informationen zu erhalten, bevor Sie das Produkt zurücksenden.

Gesetzliche Rechte bleiben davon unberührt.



www.allpondsolutions.co.uk

All Pond Solutions Ltd

Unit 203 Riverside Way, Uxbridge, Middlesex,
England UB8 2YF