

INSTALLATION

- 1 Ensure the surface of your aquarium glass is clean before attaching your AW unit as if there is any dirt it may affect the grip of the suction attachment and cause the AW to come loose causing a possibility of damage to the unit.
- 2 Install the suction attachment by pushing the rotatable axis into the back of the AW unit as per **image1**.
- 3 Place your AW unit fully submerged into your fish tank. If using the suction attachment simply press this against your glass to hold your AW in place.
- 4 Once your AW is firmly in place and fully submerged turn your AW on at the mains.

MAINTENANCE

- 1 Periodically maintain your AW unit to enhance the lifespan of the AW and its moving parts.
- 2 Use one hand to hold the AW motor and use your other hand to either twist or depress the tabs and release the AW front guard as shown in **image 2**.
- 3 Ensure when cleaning the impeller and shaft you handle these parts with care and don't lose the included suction attachment.
- 4 Do not use chemicals when cleaning your AW unit. It is suggested to use your aquarium water when cleaning your AW.

IMAGE 1

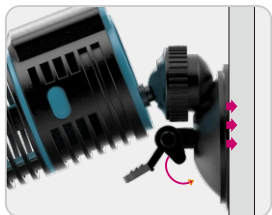
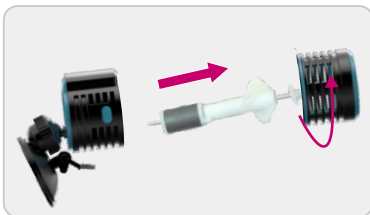
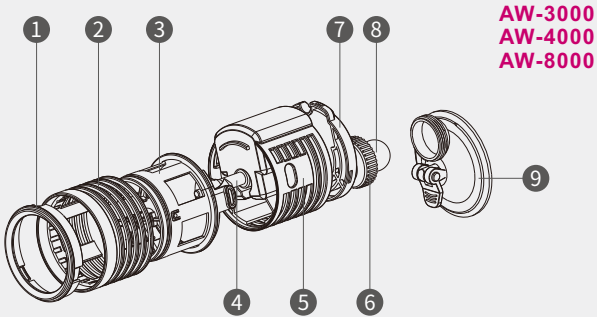


IMAGE 2



PARTS DIAGRAM

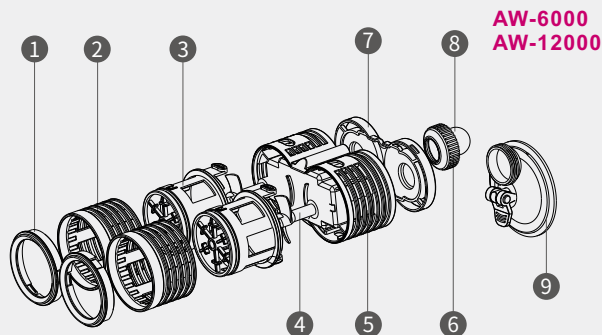


AW-3000
AW-4000
AW-8000

PARTS DIAGRAM

- | | |
|--------------------------------|-------------------|
| 1 RETAINING RING | 6 COMPRESSION NUT |
| 2 WATER INLET ADJUSTMENT COVER | 7 REAR COVER |
| 3 FRONT COVER | 8 CONNECTOR |
| 4 MAGNETIC ROTOR | 9 SUCTION CUP |
| 5 HOUSING | |

PARTS DIAGRAM



AW-6000
AW-12000

PARTS DIAGRAM

- | | |
|--------------------------------|-------------------|
| 1 RETAINING RING | 6 COMPRESSION NUT |
| 2 WATER INLET ADJUSTMENT COVER | 7 REAR COVER |
| 3 FRONT COVER | 8 CONNECTOR |
| 4 MAGNETIC ROTOR | 9 SUCTION CUP |
| 5 HOUSING | |



AllPondSolutions

AQUARIUM WAVEMAKER INSTRUCTION MANUAL



AW-3000
AW-4000
AW-8000



AW-6000
AW-12000

SAFETY

- 1 Keep the AW unit and its attachment out of the reach of children.
- 2 Ensure your AW unit is fully submerged at all time to avoid risk of the motor overheating as shown in **image 3**.
- 3 When installing your AW you must have a drip loop to avoid condensation build up running down your power cable—please see **image 4** for a detailed example of this.

IMAGE 3

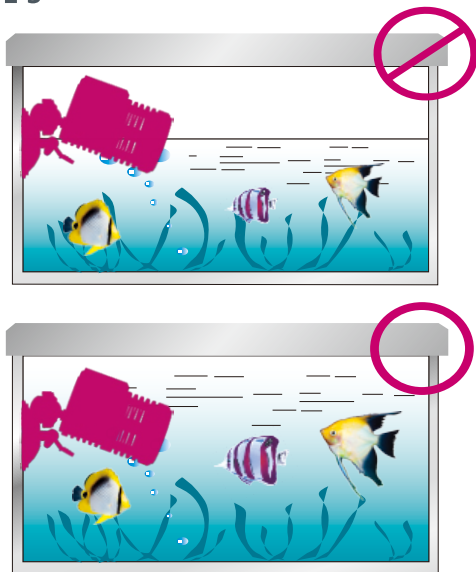
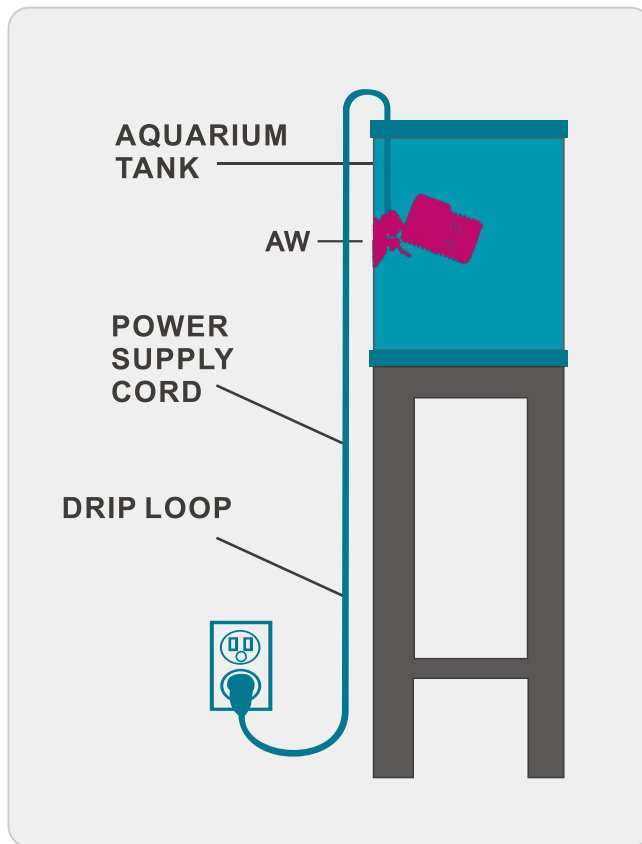


IMAGE 4



TROUBLESHOOTING

If you find that your AW is not operating correctly please check the following.

- 1 Open the AW unit by using one hand to hold the WM motor and use your other hand to either twist or depress the tabs and release the AW front guard.

- 2 Check that your impeller and shaft are all in good condition, clean and undamaged.
- 3 Ensure that both rubbers at either end of the shaft are in place and seated correctly.
- 4 Check the inside of the front casing has no damage or clipping to the plastic.
- 5 If you have tried the above and still have an issue with your AW please change the fuse in your AW as this may have blown.
- 6 If the issue is still unresolved please contact the supplier of your AW unit for further support.

WARRANTY

Your AW unit comes complete with a 12 months warranty that covers all electrical parts.

If you require support with the operation of your AW, require parts or if your AW develops a fault during the warranty period please contact the supplier of your WM system.

Please be aware that moving parts like impellers and shafts are not covered by your warranty and a charge is applied for replacements.



www.allpondsolutions.co.uk
All Pet Solutions Ltd Trading as All Pond Solutions
22 Wycombe End, Beaconsfield,
Buckinghamshire, England,
HP9 1NB

MADE IN CHINA