



AQUARIUM HANG-ON FILTER CF-400/CF-600





Thank you for purchasing the All Pond Solutions CF-400/CF-600 Hang-on filter. You will find in this manual details of how to set you CF-400/CF-600 correctly, as well as how to install your unit safely.

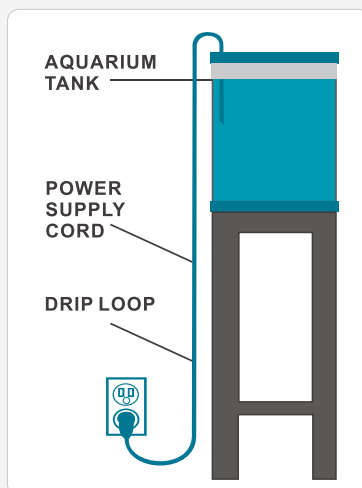
SAFETY

Important! Disconnect the mains electricity supply before attempting any installation/ maintenance of any kind. Do not attempt to modify this unit in any way and only use the recommended parts for replacement.

- The CF-400/CF-600 should never be run dry as this will cause the unit to overheat and cause permanent damage.
- All connections must be earthed.
- All power cables must have a drip loop to avoid any condensation build up reaching the mains. (see *diagram 1*)
- Do not connect to any voltage other than that stated.
- Do not place in liquids other than water.
- Do not use with water above 90F or 30C.
- Do not carry or pull the unit by its electrical cable.
- Do not attempt to modify this unit in any way and only use the recommended parts for replacement.

Please note: This appliance can be used by children aged from 8 years and above and persons with reduced physical, sensory or mental capabilities or lack of experience and knowledge provided they are given supervision or instruction concerning use of the appliance in a safe way and understand the hazards involved. Children must not play with the appliance. Cleaning and user maintenance must not be made by children without supervision.

Diagram 1





The CF-400/CF-600 comes complete with a generous supply of 3 core cable, however, should any additional cable be required then the use of an approved waterproof cable connector is essential.

Please Ensure:

- The power supply must be earthed and fused at 3amps.
- Regularly inspect the cable for damage and deterioration.
- Consult a qualified electrician if in doubt about any aspects of wiring.

INSTALLATION AND USE

Please read the below instructions carefully before beginning to set up your filter.

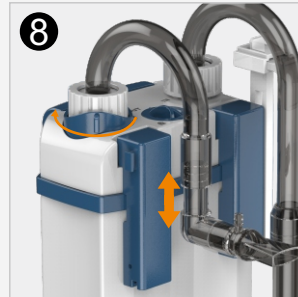
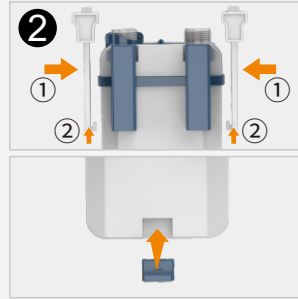
DO NOT CONNECT THE UNIT TO THE MAINS UNTIL SET UP IS COMPLETE AND UNIT IS FILLED WITH WATER.

Important installation information:

- ➊ Open the clips in the direction of the arrow (image 1) and remove the lid. Place the required filter media and filter pad inside the filter box.
- ➋ Add water into the bucket, place the lid back on top, and press down the clips to secure it.
- ➌ Install the hook into the fixed clip and attach the shock-absorbing support block to the bottom of the bucket (image 2). Screw the waste outlet onto the threaded outlet at the bottom.
- ➍ Hang the filter on the aquarium wall and adjust the hook block to match the tank thickness (image 3).
- ➎ Turn the Water Filling Switch to open, pull it up, and fill water through the filling hole until full (image 4). Turn the switch back to locked.
- ➏ Install the water inlet and outlet components as shown (image 5). Choose the preferred setup (image 6 or 7), then connect the power supply.
- ➐ After the filter starts, adjust the flow rate and outlet pipe height (image 8). Insert the aeration tube and knob into the outlet nozzle if aeration is needed.

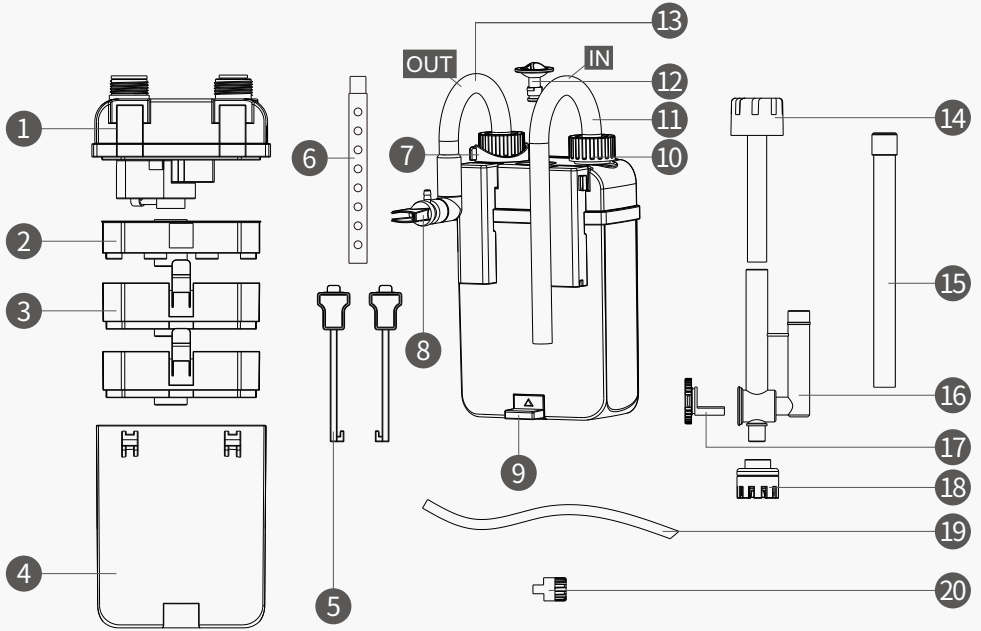


8 When using the oil-film inlet, make sure the float head is floating on the water surface. Slowly turn the inlet adjustment clockwise to increase the water flow into the float head slot so the oil-film processor can operate normally.





PARTS DIAGRAM



| | | | |
|----|-------------------------------|----|--------------------------------|
| 1 | Motor Head | 11 | Inlet Pipe |
| 2 | Filter Box Cover | 12 | Water Filling Switch |
| 3 | Filter Box | 13 | Outlet Pipe |
| 4 | Bucket | 14 | Floating Head |
| 5 | Hook | 15 | Bottom Suction Telescopic Pipe |
| 6 | Water Distribution Pipe | 16 | Four-Way Connector Pipe |
| 7 | Adjustment Switch | 17 | Grease Adjustment Switch |
| 8 | Outlet Nozzle | 18 | Bottom Suction Cover |
| 9 | Shock Absorbing Support Block | 19 | Oxygenation Tube |
| 10 | Tightening Nut | 20 | Oxygenation Knob |



IMPORTANT! Always switch off the power supply before performing any maintenance.

Decide on how regularly to clean your filter – this will be dependent on your water volume and how many fish you have in your aquarium. The best time to clean your filter is when completing a 10% water change, as you can use the aquarium water you are discarding to clean your media and other filter parts.

Impeller Maintenance

A clogged impeller is often the primary cause of all filter faults, so it is advisable to clean your filter's impeller every month, to help improve the performance and overall lifespan of your aquarium filter. Gently wiping the impeller with a cloth will help to remove any algae or debris which has built up.

- 1 Switch off your filter at the mains and unplug the unit.
- 2 Remove your CF-400/CF-600 filter from your aquarium. Remove the lid and pour out water from inside the CF-400/CF-600 filter.
- 3 Turn the filter head upside down on a clean, dry surface and unscrew the motor casing (image 1)
- 4 To clean the impeller, gently lift it from the base of the motor and clear any debris or residue.
- 5 When reinserted into the motor, the impeller 'fan' piece should rotate half way and stop. If it can rotate completely 360 degrees then the impeller is damaged and will need replacing.
- 6 Reassemble the unit, return the filter to the aquarium, and switch it on. Note: Handle the shaft with care as this can break very easily during the cleaning process.





Filter Media Maintenance

Important - Always use water from your fish tank to clean your filter media - do not use mains water or any cleaning products to clean your media.

When cleaning filter media, **NEVER** rinse with tap water or use soap or detergent, only your aquariums water. The best time to rinse your filter media is when doing a 10/20% water change as you can use this water to wash the media through.

When replacing media in your filter, do not replace more than 50% of your media at once. This is to ensure that the nitrifying bacteria present in the old media are able to repopulate in the newly added filter media.

- ① Switch off your filter at the mains and unplug the unit.
- ② Remove the CF-400/CF-600 filter from the aquarium. Remove the lid and carefully pour out any water remaining inside the unit.
- ③ Turn the filter head upside down on a clean, dry surface then unscrew the motor casing (see image 1)
- ④ Remove the the filter media from the filter boxes, and clean it as required.
- ⑤ Reassemble the unit, place the filter back onto the aquarium, and switch it on.



TROUBLESHOOTING

The water in my aquarium is dirty

Causes

- The beneficial bacteria have not yet established in your new filter.
- Your filter is not the correct size for your aquarium set up.
- You have too many fish for your size filter.
- Your filter media may be dirty.

Solutions

- Your fish tank can take up to 3 weeks to successfully cycle. You may also want to add a bacteria start treatment to your tank to speed up this process.
- You may need to upgrade to a larger filter.
For reference, you should allow 1 gallon of water per 1 inch of fish in your aquarium.
- Follow the instructions in the Filter Media Maintenance section above.
- If you have not yet done so, you may also need to carry out more regular water changes in your tank.

No water is coming out of my filter

Causes

- The impeller is blocked – please refer to the impeller maintenance section above.
- There is no water in the filter body.
- The filter is not switched on.
- The inlet pipe is clogged.

Solutions

- Use a small jug to scoop some water from the surface of your tank and pour into the filter body.
- Check your filter is plugged into the mains and is switched on.
- Remove the filter from your tank and clean the inlet pipe.

If none of the troubleshooting advice above resolves your issue, or you require spare parts for your CF-400/CF-600, please contact the supplier of your CF-400/CF-600 system.



SPECIFICATIONS

| | | | |
|---------|---------------|------------|---------------|
| MODEL | CF-400 | | |
| VOLTAGE | 220-240V/50Hz | OUTPUT | 300L/h |
| POWER | 5W | DIMENSIONS | 140×90×220mm |
| MODEL | CF-600 | | |
| VOLTAGE | 220-240V/50Hz | OUTPUT | 500L/h |
| POWER | 7W | DIMENSIONS | 195×105×295mm |

WARRANTY

Your CF-400/CF-600 system comes with 12 months warranty that covers all electrical parts.

If you require support for operation of your CF-400/CF-600, replacement parts or if your CF-400/CF-600 develops a fault during the warranty period, please contact the supplier of the CF-400/CF-600.

Please be aware that perishable parts including impellers, shafts, are not covered by your warranty and a charge may be required for replacements of these.



www.allpondsolutions.co.uk

All Pet Solutions Ltd Trading as All Pond Solutions
22 Wycombe End, Beaconsfield,
Buckinghamshire, England,
HP9 1NB
MADE IN CHINA