



SUBMERSIBLE PUMP INSTRUCTION MANUAL

ACP-500 / ACP-1000 / ACP-1500
/ ACP-2500 / ACP-3500



FULLY SUBMERSIBLE

ADJUSTABLE FLOW RATE

FOR FRESH & SALTWATER TANKS

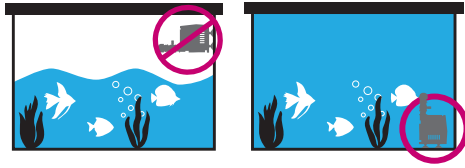
To ensure your new submersible pump is set up and running correctly, and to prevent any accidental damage or injury, please read and follow the below instructions carefully before using your product.

SAFETY

Important! Disconnect the mains electricity supply before attempting any installation / maintenance of any kind. Do not attempt to modify this unit in any way and only use the recommended parts for replacement.

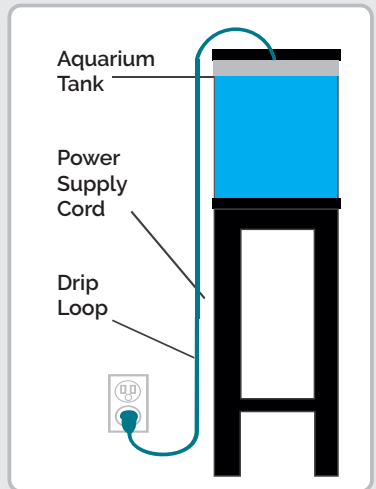
- The pump should never be run dry as this will cause the unit to overheat and cause permanent damage.
- All connections must be earthed.
- The power cord of this appliance cannot be replaced; if the cord is damaged, the appliance should be discarded. Never cut the cord.
- Do not connect to any voltage other than that stated.
- This pump is suitable for indoor household aquariums only (do not use in exterior locations, swimming pools, ponds, bathrooms etc). Do not place in liquids other than water.
- Do not use with water above 90F or 30C.
- Do not carry or pull the unit by its electrical cable.
- Do not use this unit if it has a damaged cord or plug, if it is malfunctioning or it is dropped or damaged in any manner
- Do not yank cord to pull plug from outlet. Grasp the plug and pull to disconnect. Always unplug an appliance from an outlet when not in use.
- Do not attempt to modify this unit in any way and only use the recommended parts for replacement.
- Before installing, maintaining or handling your equipment, or before placing your hands in your aquarium, ensure that the unit is disconnected from the electricity supply.
- Always unplug any electrical devices when not in use.

WARNING! MUST BE SUBMERGED



- The power cable must have a drip loop to avoid any condensation build up reaching the mains (see diagram 1). If the plug does get wet, DO NOT unplug the cord. Disconnect the fuse or circuit breaker that supplies power to the appliance. Then unplug and examine for presence of water in receptacle.
- Carefully examine your pump after installation. Do not plug the unit in to the mains if there is water on any parts not intended to be wet.
- If the unit shows any signs of water leakage, disconnect the power supply cord from the wall socket and consult All Pond Solutions or the retailer you purchased this unit from for further advice.
- If the plug or unit does get wet, DON'T unplug the cord. First, disconnect the circuit breaker or fuse that supplies power to the appliance. Next, unplug and inspect for water presence in the receptacle.
- To avoid injury, do not touch hot or moving parts such as, but not limited to impellers.

Diagram 1



Please note – this appliance can be used by children aged from 8 years and above and persons with reduced physical, sensory or mental capabilities or lack of experience and knowledge, provided they are given supervision and instruction concerning use of the appliance and understand the hazards involved. Children must not play with the appliance. Any maintenance must not be made by children without supervision.

ELECTRIC

This unit comes complete with a generous supply of 3 core cable, however should any additional cable be required, the use of an approved waterproof cable connector with a proper rating is essential. A cord rated for less amperes or watts than the appliance rating may overheat.

Please Ensure:

- The power supply must be earthed and fused at 3amps.
- You regularly inspect the cable for damage and deterioration.
- Do not connect to any voltage other than that stated.
- You consult a qualified electrician if in doubt about any aspects of wiring.

MAINTENANCE

To ensure optimal performance and that your unit functions correctly, regular maintenance is essential. Failure to do so may result in damage to your unit and may invalidate your warranty.

We recommend that a regular cleaning and maintenance schedule is followed to ensure responsible fishkeeping. Depending on water volume and stocking levels, regular cleaning of the impeller during a 10-25% water change will help ensure that the product works efficiently and the aquarium remains healthy.

For further maintenance guidance, please see the table and additional information below:

	1 MONTH	3 MONTHS	6 MONTHS	ANNUALLY
Impeller	Clean & Inspect			Replace
Shaft	Clean & Inspect			Replace
O-Ring	Clean & Inspect	Lubricate & Clean		Replace

In general, it is recommended to disconnect your pump and clean the impeller monthly. The unit will become blocked with waste and protein slime over time, so regular cleaning is important for optimal performance.

The frequency of how often you will need to clean and inspect your unit of course will depend on a lot of factors like how dirty the water is when you first start using your pump, the volume of your water and also how many fish you have. How often you feed your fish and how long your lighting is on for will also affect how quickly your aquarium water gets dirty and will need to be taken into consideration when planning how often to clean your unit.

O-ring

It is vital that your pump's O-ring is regularly inspected and replaced as the rubber watertight seal will perish over time, which may cause leaks. Before replacing your o-ring, ensure they are well lubricated.

Maintenance & Disassembling

Should you need to disassemble your unit for maintenance or repair purposes, please follow the steps below:

Unplug the power cord from the mains. Move your unit to a flat stable surface near a sink or other drain. (Be sure to hold upright to avoid spillages.)

- 1.** Press the button on the front cover of the pump, pull in the direction of the arrow and remove the front cover (part 2).
- 2.** Pull up the base buckle, pull out in the direction of arrow, and pull out the bottom plate (part 5).
- 3.** Rotate the impeller cover (part 3) in the direction of arrow and pull it to remove it.
- 4.** Pull out the impeller (part 9) to clean / replace it.
Clean your impeller with your aquarium water (from a water change) - whilst doing this you will be able to check that the impeller and shaft are both in good condition. When returning this to the motor head ensure this is seated correctly with the two rubbers on either end of the shaft (sometimes the rubbers stay in the holes that they fit into and will not be obviously evident when first removing the impeller and shaft).
- 5.** Make sure the O-ring is in place and secure before reassembling the pump.



Please note: A clogged impeller is often the primary cause of all pump faults, so it is extremely important to clean and inspect your impeller every month to ensure it is functioning correctly and remove any debris. Keeping the impeller clean will improve the performance of your filter and lengthen the life of the motor. The impeller itself is a perishable part and will be subject to wear and tear overtime. As a result, it is also very important to replace your impeller and ceramic shaft annually.

NEVER use tap water, or soap or detergents, when cleaning your unit. Make sure no debris is trapped inside.

Top up your aquarium tank water level from any water used and reconnect the power cord to the mains.

TROUBLESHOOTING

No Filter Operation / Water Flow

Solutions:

- Always ensure the power has been turned on.
- Check that your impeller and shaft are seated correctly and not damaged in any way.
- Ensure the impeller is free of any type of blockage and can rotate freely inside the motor head.

Noisy Operation

Solutions:

- Check that your impeller and shaft are seated correctly and not damaged in any way.
- Ensure the impeller is free of any type of blockage and can rotate freely inside the motor head.

USEFUL INFORMATION & TIPS

Flow Rate

Our ACP pumps have adjustable flow rate. Before setting up and stocking your aquarium you should do some research to determine the preferences of the fish you intend to keep.

Fish have certain preferences when it comes to water flow. Lake fish tend to prefer slow-moving waters while species native to mountain streams, rivers and other quickly-flowing bodies of water tend to prefer a stronger current.

Gurgling Sounds

If you followed our troubleshooting guide (on the previous page) and you can still hear sucking or gurgling noises, it might be that your pump's intake is at the surface. Restoring the water level should fix the problem quickly. Occasionally air becomes trapped inside the unit. Simply disconnect your pump and tip it from side to side while completely underwater, and the air will bubble out.

Reduced filter circulation performance

The output reduction of your filter is most probably not a failure of your pump.

Unlike the constant pump output, the circulation performance of the filter declines, as it becomes more contaminated.

The reduction in circulation performance is generally due to:

- Dirty filter media
- Incorrect filter layer set-up
- Blockage in the filter and the pump itself

COMMON AQUARIUM QUESTIONS

Why Is My Aquarium Water Cloudy?

Causes:

- **Bacterial blossom** - As the new aquarium goes through the initial break-in cycle, the water can become cloudy or at least a little hazy. It might take several weeks to establish beneficial bacterial colonies that are able to clear waste from the water. Over time, that cloudiness will resolve itself. Decaying plants or excess food that remains uneaten can also cause the cloudy water seen in bacterial bloom. Keep the aquarium clean by removing any decaying plants and uneaten food, vacuuming the gravel regularly, and performing partial water changes. It is also a good idea to invest in a UV steriliser, which simply kills the microorganisms creating the cloudy aquarium water problem and helps to control algae issues.
- **Gravel residue** - If the water is cloudy immediately or within an hour or two of filling the tank, it's probably due to insufficiently washed gravel. Drain the tank and rinse the gravel until the water runs clear. That should resolve the problem.
- **Dissolved constituents** - If washing the gravel doesn't solve the problem, the next most likely cause of cloudy water in a newly filled tank is a high level of dissolved constituents, such as phosphates, silicates, or heavy metals. If you test the water, you'll likely find that the pH is high (alkaline). In these cases, treating the water with conditioners will often resolve the problem.

Other things to try:

- Reduce feeding. Overfeeding introduces a lot of organic waste and is one of the main causes for cloudy water problems.
- Do not perform large water changes as they can severely affect the balance of the aquarium leading to a further deterioration of the water quality.
- A severely overstocked aquarium will result in excess waste so consider your fish population. We recommend to not exceed 1 inch of fish per 3.7 litres of aquarium water.

Why Is My Aquarium Water Green?

Causes:

- **Too much light** - Reduce the amount of time the lights are on, and move the aquarium to a location out of direct sunlight. This will reduce the photosynthesis that allows the algae to grow.

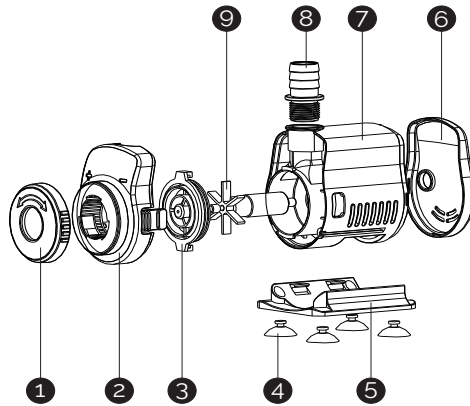
- **Phosphates** - phosphates result from decaying matter (e.g. fish food) and from the water source. If your water naturally has a high level of phosphate, you will need to use a phosphate remover to treat it after water changes. You may also consider reducing the amount of food you give your fish.
- **Nitrates** - As the amount of fish waste rises so do the nitrates. Make sure to perform regular water changes, check your filter is clean and adequate for your aquarium size and do not overstock it.

Other things to try:

Use a UV water steriliser. Algal cells are damaged by the harmful UV light so continuous use should ensure clear water at all times.

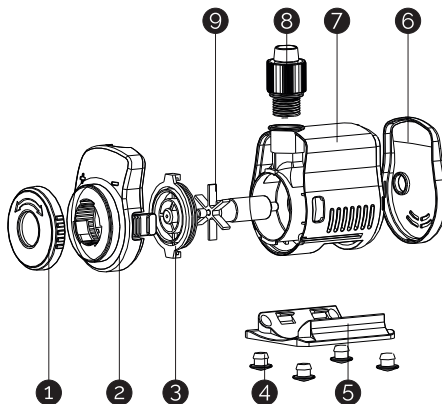
PARTS DIAGRAM

ACP-500 / ACP-1000 / ACP-1500 & ACP-2500 MODELS



1	FLOW RATE ADJUSTER	4	SUCTION PADS X 4	7	MOTOR CASING
2	FRONT COVER	5	BOTTOM PLATE	8	HOSETAILED
3	IMPELLER COVER	6	MOTOR CAP	9	IMPELLER

ACP-3500 MODEL



1	FLOW RATE ADJUSTER	4	SUCTION PADS X 4	7	MOTOR CASING
2	FRONT COVER	5	BOTTOM PLATE	8	HOSETAILED
3	IMPELLER COVER	6	MOTOR CAP	9	IMPELLER

SPECIFICATIONS

MODEL	ACP-500	ACP-1000	ACP-1500	ACP-2500	ACP-3500
VOLTAGE	220-240V/50Hz				
POWER	5W	14W	20W	35W	80W
H-MAX	0.9M	1.4M	1.7M	2.4M	3.6M
OUTPUT	500L/H	1000L/H	1500L/H	2500L/H	3500L/H
OUTLET SIZE mm	13	16.5	16.5	13/16/20	19/22.5/26.5
DIMENSIONS (LxWxH) mm	74x51x63	83x59x76	94x68x87	106x75x96	143x98x126

WARRANTY

The All Pond Solutions submersible pump range is guaranteed against defects in material or workmanship under normal aquarium usage and comes with 12 months warranty for all electrical parts. The warranty period commences from the date of purchase.

If you require support on how to use your unit, replacement parts or if your pump develops a fault during the warranty period, please contact the supplier of your unit.

Non-replaceable, non-perishable and non-serviceable parts will be repaired or replaced free of charge, once the unit is returned with all components along with a valid proof of purchase and postage paid. We reserve the right to replace or repair the unit at our discretion.

Please be aware that perishable parts that are subject to normal wear and tear, such as impellers, impeller covers and motor seals are not covered by your warranty and a charge may be required for replacements of these.

This warranty does not apply to any unit that has been subjected to misuse, accidental damage, negligence, tampering or customisation. It does not apply to units which have been assembled incorrectly, improperly maintained, or where the instructions and safety information in this manual has not been followed correctly.

No liability is assumed with respect to loss or damage to livestock or personal property irrespective of the cause thereof.

Please ensure that only genuine All Pond Solutions components are used when completing a replacement or repair. Spare parts are available at our official website or from your local supplier.

Before returning your unit under warranty terms, check that all setup and maintenance instructions have been correctly followed. If you are in doubt, please contact your local aquatic retailer for further advice before returning the product.

This does not affect your statutory rights.



www.allpondsolutions.co.uk

All Pet Solutions Limited Trading as All Pond Solutions
Unit 203 Riverside Way, Uxbridge, Middlesex,
England, UB8 2YF