



POND & AQUARIUM WATER PUMP

1400PP / 3000PP / 4500PP



SUBMERSIBLE USE ONLY - SUITABLE
FOR FRESH AND SALT WATER

ANTI CORROSIVE AND HIGHLY
DURABLE PUMP BODY & CASING

SHAFT MADE OF QUALITY CERAMIC -
ANTI-CORROSIVE & WATERPROOF

COMPLETELY SEALED MOTOR-
EXCELLENT INSULATION

To ensure your new pond pump is set up and running correctly, and to prevent any accidental damage or injury, please read and follow the below instructions carefully before using your product.

SAFETY

IMPORTANT! Disconnect the mains electricity supply before attempting any installation / maintenance of any kind. Do not attempt to modify this unit in any way and only use the recommended parts for replacement.

- The PP pond & aquarium pump should never be run dry as this will cause the unit to overheat and cause permanent damage.
- All connections must be earthed.
- The power cord of this appliance cannot be replaced; if the cord is damaged, the appliance should be discarded. Never cut the cord.
- Do not connect to any voltage other than that stated.
- Do not place in liquids other than water.
- Do not use with water above 90°F or 30°C.
- Do not carry or pull the unit by its electrical cable.
- Do not use this unit if it has a damaged cord, if it is malfunctioning or it is dropped or damaged in any manner
- Do not attempt to modify this unit in any way and only use attachments and the recommended parts for replacement recommended by the manufacturer.
- Before installing, maintaining or handling your equipment, or before placing your hands in your pond, ensure that the unit is disconnected from the electricity supply.
- Always disconnect any electrical devices when not in use.
- To avoid injury, do not touch hot or moving parts such as, but not limited to UV bulbs or impellers.
- During maintenance ensure all O-rings are present and intact.

- If the appliance shows any signs of water leakage or the RCD unit switches off, disconnect the unit from the power supply and consult the retailer where you purchased the unit.
- Do not install or store this unit where it will be exposed to temperatures near to 0°C / 32°F. In freezing conditions, remove and store the unit in a sheltered area ensuring all water has been drained from it.
- Do not bury the cord for this unit. Ensure it does not cause a trip hazard or it at risk from damage from lawn mowers, strimmers or other garden equipment.
- This is a submersible product - do not operate the product if not fully submerged.

Please note – this appliance can be used by children aged from 8 years and above and persons with reduced physical, sensory or mental capabilities or lack of experience and knowledge, provided they are given supervision and instruction concerning use of the appliance and understand the hazards involved. Children must not play with the appliance. Any maintenance must not be made by children without supervision.

ELECTRIC

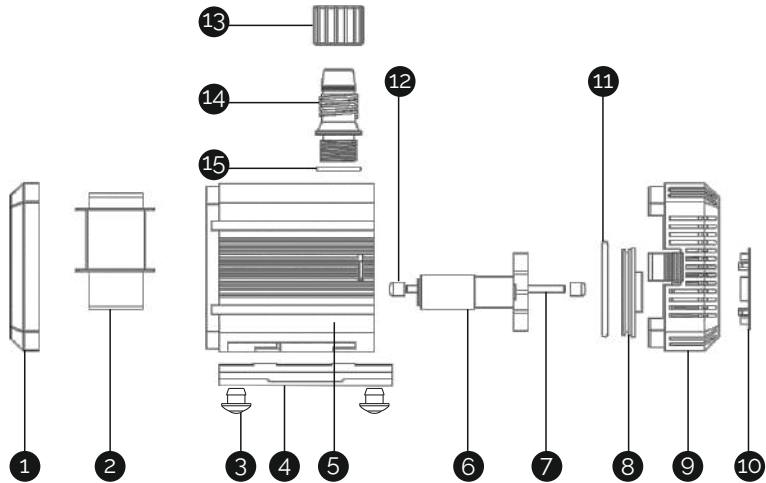
This unit comes complete with a generous supply of 3 core cable, however should any additional cable be required, the use of an approved waterproof cable connector with a proper rating is essential. A cord rated for less amperes or watts than the appliance rating may overheat.

Please Ensure:

- The power supply must be earthed and fused at 3amps.
- You regularly inspect the cable for damage and deterioration.
- Do not connect to any voltage other than that stated.
- You consult a qualified electrician if in doubt about any aspects of wiring.
- A residential current device (RCD) is used for additional safety
- You have complied with Local Electricity Authority regulations if permanently installing to the mains supply.

PARTS DIAGRAM

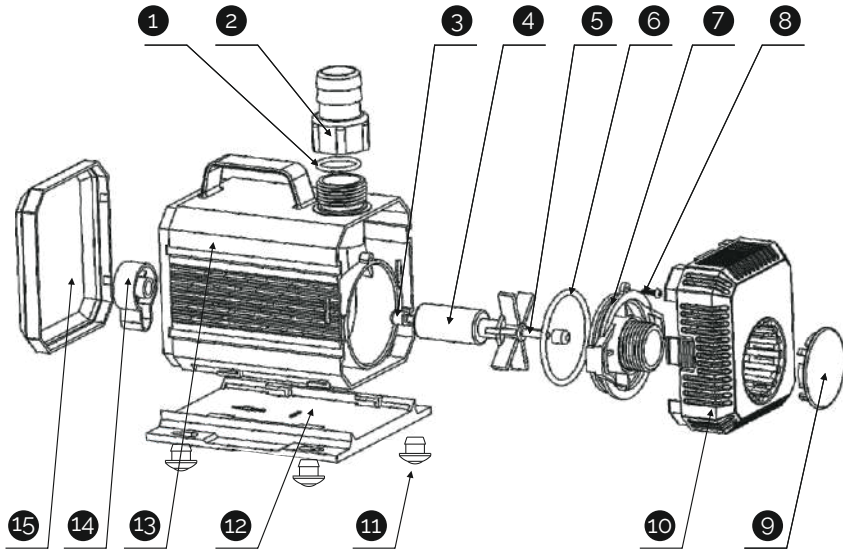
1400PP



1	BACK COVER	6	IMPELLER	11	O-RING
2	BACK CASE	7	SHAFT	12	RUBBER BEARING
3	SUCTION CUPS	8	IMPELLER COVER	13	NUT
4	BASE PLATE	9	FRONT COVER	14	OUTLET
5	MAIN BODY	10	COVER CAP	15	O-RING

PARTS DIAGRAM

3000PP / 4500PP



1	O-RING	6	O-RING	11	SUCTION CUPS
2	OUTLET	7	IMPELLER COVER	12	BASE PLATE
3	RUBBER BEARING	8	SCREW	13	MAIN BODY
4	IMPELLER	9	COVER CAP	14	BACK CASE
5	SHAFT	10	FRONT COVER	15	BACK COVER

INSTALLATION & USE

The All Pond Solutions PP pump range can be used to circulate water, pump to and from a separate filtration system or water features using suitable flexible hose (flexible hosing sold separately).

Please read the below instructions carefully before beginning to set up your pump. **DO NOT CONNECT THE UNIT TO THE MAINS UNTIL SET UP IS COMPLETE AND UNIT IS FILLED WITH WATER.**

- 1. Connect the required attachments** - make sure the O-rings is added to the outlet hosietail (see image on the right for reference). This will prevent leakage.
- 2. Connect your outlet pipe to either your filter, water feature or alternative location.** Secure the outlet pipe using the included nut and ensure this is tight and secure.



You can add filter foam (sold separately) to the inlet of the PP. This may slow down your flow rate but will ensure you pick up larger dirt particles before this enters your pump/filter system.

- 3. If you need to connect the inlet pipe you can remove the front case cap before attaching the hose.**



4. Position the unit - fully submerge your PP unit. Place it on a level and sturdy surface at the bottom of your pond, this is to avoid silt entering the pump causing excessive wear and increasing pump cage cleaning. If you have a pond liner, use the provided suction cups.



5. Connect your PP pump to the mains - Connect the unit to the mains using a residual current device (RCD) for additional safety.

6. Switch on your unit at the mains - turn on the operation by switching on the unit at the mains.



**WATER HOSETAIL
OUTLET SETUP**



**WATER HOSETAIL INLET
& OUTLET SETUP**

MAINTENANCE

To ensure optimal performance and that your unit functions correctly, regular maintenance is essential. Failure to do so may result in damage to your unit and may invalidate your warranty.

We recommend that a regular cleaning and maintenance schedule is followed to ensure responsible fishkeeping. Depending on water volume and stocking levels, regular cleaning of the impeller and inlet/outlet pipework will help ensure that the product works efficiently and your pond remains healthy.

	1 MONTH	3 MONTHS	6 MONTHS	ANNUALLY
All Pipework	Clean & Inspect			
Hosing				Clean & Inspect
O-Rings	Clean & Inspect	Lubricate & Clean		Replace

O-rings

It is vital that O-rings are regularly inspected and replaced as the rubber watertight seal will perish over time, which may cause your unit to leak. Before replacing your o-rings, ensure they are well lubricated to ensure the seal is kept water tight.

Pump Maintenance

IMPORTANT! Failure to carry out routine maintenance and/or leaving the pump with reduced/no flow rate for long periods will result in a shorter pump life and will invalidate the warranty.

It is recommended to disconnect your pump and clean the impeller and pipework monthly. Pipework will become blocked with waste and protein slime over time, so regular cleaning is important for optimal performance.

The frequency of how often you will need to clean and inspect your unit of course will depend on a lot of factors like how dirty the water is when you first start using your pump, your pond volume and also how many fish you have. How often you feed your fish and seasonal light levels will also affect how quickly your pond water gets dirty and will need to be taken into consideration when planning how often to clean your PP unit.

Front cover - can be removed by gently depressing the push clips located on either side. Wash through the cover to remove any debris.

Impeller - unscrew a single screw fixing located on top of the impeller cover. Turn it anti-clockwise and pull away from the body.



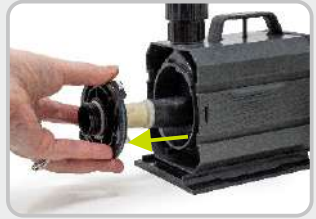
The impeller can then be gently pulled away from the housing and inspected for damage. Clear the fittings and parts of any waste build-up.



1400PP



3000PP



4500PP

Reassemble the unit. Ensure the O-rings are in place to avoid leakage.

SPECIFICATIONS

MODEL:	1400PP	3000PP	4500PP
MAX HEIGHT (cm)	180	350	450
MAX FLOW RATE:	1400 L/H	3000 L/H	4500 L/H
DIMENSIONS (mm):	120 x 95 x 95	153 x 105 x 125	175 x 112 x 133
OUTLET FITS:	18mm Flexible Hose	22mm Flexible Hose	22mm Flexible Hose
INLET FITS:	20mm Flexible Hose	27mm Flexible Hose	27mm Flexible Hose
WATTAGE:	24w	85w	100w
CABLE LENGTH (Plug not included):	10m	10m	10m
VOLTAGE:	220-240V	220-240V	220-240V

TROUBLESHOOTING

Slow Flow Rate

- 1.** For optimum function of the unit, we highly recommend the pump is positioned on a brick, so it is not resting directly on the bottom on the pond. This is to prevent large clumps of debris blocking the inlets and restricting the flow.
- 2.** Follow the maintenance section. Ensure pipe work is not blocked, leaking or is laid so that it gets crushed or kinked.
- 3.** Locate the impeller and shaft in the pump and inspect for damage and clear the fittings and parts of any waste build-up.

No Flow From Pump

- 1.** Check power supply is on.
- 2.** Check fuse and cable for any damage.
- 3.** Follow the slow flow rate guide (see above) and keep any hose fittings to a minimum. This helps to remove frictional loss of flow and so increases pump flow rates.

My Unit is Cutting Out

- 1.** For optimum function of the unit, we highly recommend the pump is positioned on a brick, so it is not resting directly on the bottom on the pond. This is to prevent large clumps of debris blocking the inlets and restricting the flow.
- 2.** Ensure that all O-rings are in place and well lubricated.
- 3.** Locate the impeller and shaft in the pump and inspect for damage and clear the fittings and parts of any waste build-up.

If none of the above resolves your issue, or you require spare parts for your pump, please contact the supplier of your unit.

WARRANTY

The All Pond Solutions PP pump range is guaranteed against defects in material or workmanship under normal pond usage and comes with 12 months warranty for all electrical parts. The warranty period commences from the date of purchase.

If you require support on how to use your unit, replacement parts or if your pump develops a fault during the warranty period, please contact the supplier of your unit.

Non-replaceable, non-perishable and non-serviceable parts will be repaired or replaced free of charge, once the unit is returned with all components along with a valid proof of purchase and postage paid. We reserve the right to replace or repair the unit at our discretion.

Please be aware that perishable parts that are subject to normal wear and tear, such as impellers, impeller covers and motor seals are not covered by your warranty and a charge may be required for replacements of these.

This warranty does not apply to any unit that has been subjected to misuse, accidental damage, negligence, tampering or customisation. It does not apply to units which have been assembled incorrectly, improperly maintained, or where the instructions and safety information in this manual has not been followed correctly.

No liability is assumed with respect to loss or damage to livestock or personal property irrespective of the cause thereof.

Please ensure that only genuine All Pond Solutions components are used when completing a replacement or repair. Spare parts are available at our official website or from your local supplier.

Before returning your unit under warranty terms, check that all setup and maintenance instructions have been correctly followed. If you are in doubt, please contact your local aquatic retailer for further advice before returning the product.

This does not affect your statutory rights.



www.allpondsolutions.co.uk

All Pet Solutions Limited Trading as All Pond Solutions
Unit 203 Riverside Way, Uxbridge, Middlesex,
England, UB8 2YF