



AllPondSolutions[®]
aquarium range



AQUARIUM AIR PUMP

AP-1.5-KIT / AP-3-KIT /
AP-6-KIT / AP-12KIT



LOW NOISE OPERATION

NON-RETURN VALVE INCLUDED

HIGH OUTPUT

AIR STONE & HOSE INCLUDED

MULTI-SPEED CONTROL

SINGLE/MULTIPLE OUTLET

To ensure your new aquarium filter is set up and running correctly, and to prevent any accidental damage or injury, please read and follow the below instructions carefully before using your product.

SAFETY

IMPORTANT! Disconnect the mains electricity supply before attempting any installation / maintenance of any kind. Do not attempt to modify this unit in any way and only use the recommended parts for replacement.

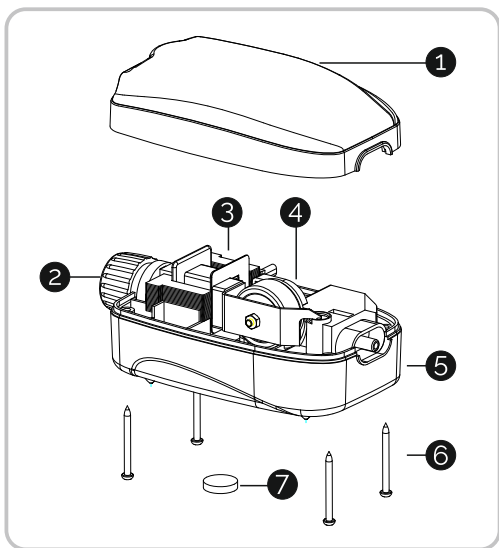
- Always check air pump for any damage prior to use. It is essential that you NEVER submerge the air pump - the unit must be used in a dry environment.
- All connections must be earthed. Do not connect to any voltage other than that stated.
- The power cord of this appliance cannot be replaced; if the cord is damaged, the appliance should be discarded. Never cut the cord.
- Do not carry or pull the unit by its electrical cable.
- Do not use this unit if it has a damaged cord or plug, if it is malfunctioning or it is dropped or damaged in any manner.
- Do not yank cord to pull plug from outlet. Grasp the plug and pull to disconnect. Always unplug an appliance from an outlet when not in use.
- Do not attempt to modify this unit in any way and only use the recommended parts for replacement.
- Before installing, maintaining or handling your equipment, or before placing your hands in your aquarium, ensure that the unit is disconnected from the electricity supply.
- Always unplug any electrical devices when not in use.
- Carefully examine your air pump after installation. Do not plug in the unit into the mains if there is water on any parts not intended to be wet.
- If the air pump falls into the water, DO NOT reach for it. First unplug the unit and then retrieve it. If the electrical components of the appliance get wet, unplug the appliance immediately.

- The air pump will overheat and become damaged if it cannot operate adequately. Never shut off any of the air outlets, make sure the airline is not obstructed or blocked and that the air stones are replaced regularly and are of a suitable standard.

Please note – this appliance can be used by children aged from 8 years and above and persons with reduced physical, sensory or mental capabilities or lack of experience and knowledge, provided they are given supervision and instruction concerning use of the appliance and understand the hazards involved. Children must not play with the appliance. Any maintenance must not be made by children without supervision.

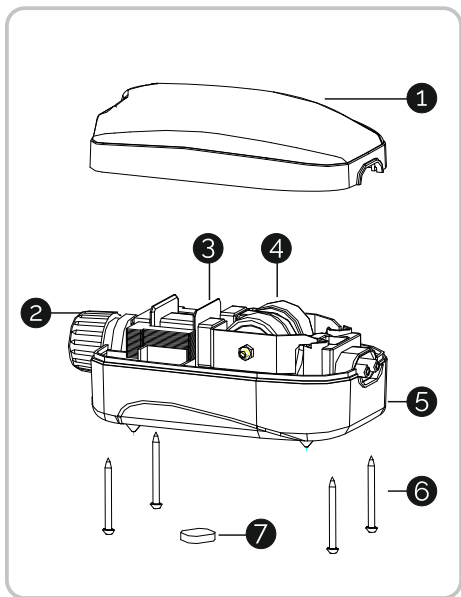
PARTS DIAGRAM

AP-1.5



PARTS DIAGRAM

AP-3

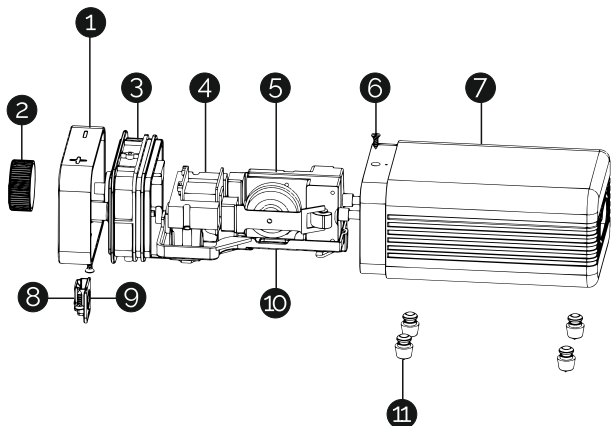


1	PUMP CASING
2	AIR FLOW CONTROLLER
3	MOTOR COMPONENTS
4	DIAPHRAGM

5	PUMP BASE
6	SCREWS
7	AIR COTTON FILTER

PARTS DIAGRAM

AP-6

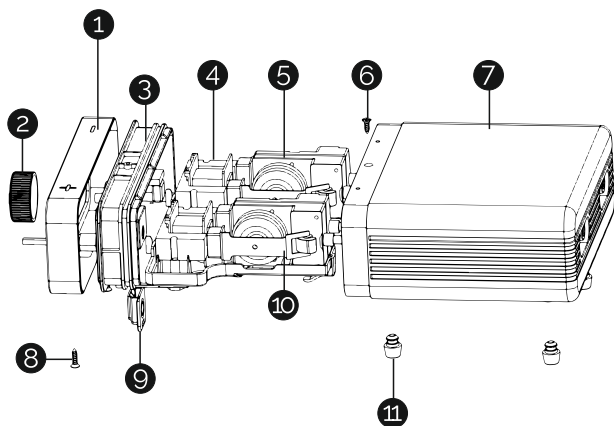


1	BACK CASING
2	AIR FLOW CONTROLLER
3	REAR FIXING FRAME
4	MOTOR COMPONENTS
5	DIAPHRAGM

6	SCREW
7	FRONT CASING
8	HEAD SCREWS
9	INTAKE COMPONENTS
10	FRONT FIXING FRAME
11	SUPPORT FEET

PARTS DIAGRAM

AP-12



1	BACK CASING
2	AIR FLOW CONTROLLER
3	REAR FIXING FRAME
4	MOTOR COMPONENTS
5	DIAPHRAGM

6	SCREW
7	FRONT CASING
8	HEAD SCREWS
9	INTAKE COMPONENTS
10	FRONT FIXING FRAME
11	SUPPORT FEET

ELECTRIC

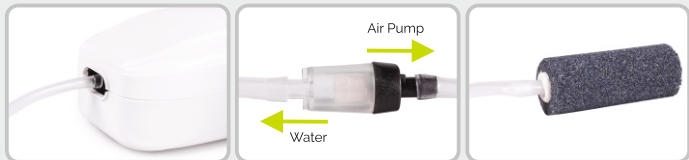
This unit comes complete with a generous supply of 3 core cable, however should any additional cable be required, the use of an approved waterproof cable connector with a proper rating is essential. A cord rated for less amperes or watts than the appliance rating may overheat.

Please Ensure:

- The power supply must be earthed and fused at 3amps.
- You regularly inspect the cable for damage and deterioration.
- Do not connect to any voltage other than that stated.
- You consult a qualified electrician if in doubt about any aspects of wiring.

SET UP

1. Attach one end of the air hose to the air outlet(s) on air pump.
2. Connect a non return valve between your air hose a few inches from your air pump.
3. Position your air pipe in your aquarium with or without air stone as required.
4. Plug air pump into outlet. Be sure to allow for a "drip loop"



Decide where you are going to position the air pump. The power cable must have a drip loop to avoid any condensation build up reaching the mains (see Diagram 1 and 2). If the plug does get wet, DO NOT unplug the cord. Disconnect the fuse or circuit breaker that supplies power to the appliance. Then unplug and examine for presence of water in receptacle.

The air pump can be installed by following either of the two recommended methods:

1. Place the air pump on a surface lower than the water level of the aquarium. To avoid damage from accidentally spilled water, do not place the air pump directly below the aquarium (Diagram 1).

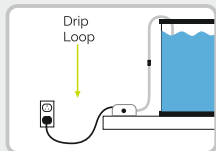


Diagram 1

2. Place the air pump on a surface higher than the water level, such as a shelf. The surface should be at least 12 inches (30 cm) higher than the water level of the aquarium, but not be positioned directly above the aquarium. The surface should have a raised edge to prevent the air pump from sliding off (Diagram 2).

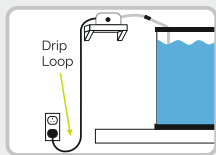


Diagram 2

Air Flow Adjustment

The All Pond Solutions air pumps incorporate a flow control knob to control air output.

Turning the knob clockwise increases the air flow and counter-clockwise reduces the air flow.



MAINTENANCE

To ensure optimal performance and that your unit functions correctly, regular maintenance is essential. Failure to do so may result in damage to your unit and may invalidate your warranty.

We recommend that a regular cleaning and maintenance schedule is followed to ensure responsible fishkeeping. Regular maintenance will help ensure that the product works efficiently and the aquarium remains healthy.

For further maintenance guidance, please see the table and additional information below:

	1 MONTH	3 MONTHS	ANNUALLY
Air Stone	Inspect & Clean	Replace	
Diaphragm			Replace
Air Hose	Inspect & Clean		Replace
Non Return Valve			Replace

Regularly clean your air hose and air stone to ensure maximum output and improved lifespan of the air pump. The air hose should be inspected at the same time that regular aquarium maintenance is carried out. Carefully remove any sections that are kinked or pinched and replace if necessary. Restricting the air flow can result in back pressure.

Ensure the air stones are kept clean from debris or algae build-ups. Blocked air stones will lead to low air pressure output.

Lubrication is not required on the air pump or any of its parts. Remove dust and grime from the outer shell with a soft, damp cloth.

Back Pressure

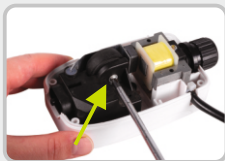
IMPORTANT! Back pressure is the build-up of pressure on the diaphragm due to restricted air flow. This occurs when excess air is produced by the air pump, or when the air channels (for example air hose or air driven aquarium ornaments) are inadvertently blocked. Back pressure over time will cause the diaphragm to expand or rupture.

Replacing the Diaphragm

This air pump is supplied with an extra diaphragm set. In the event of the pump operating less efficiently, immediately replace the diaphragms and check the inside of the pump for signs of dirt, moisture and excessive wear. You replace the diaphragm(s) by unscrewing the screws to open up the air pump, remove the old diaphragm(s) from the valve housing and then fit the new diaphragms. Make sure the air pump is correctly put back together and securely fastened with the screws.

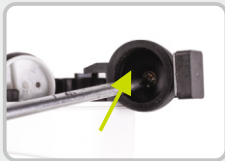
Diaphragm wear is normal and is not covered by the warranty; extra diaphragms may be purchased from All Pond Solutions online store.

1. Replace the diaphragm(s) by unscrewing the screws to open up the air pump.



2. Remove the old diaphragm(s) from the valve housing and then fit the new diaphragms.

3. Make sure the air pump is correctly put back together and securely fastened with the screws.



TROUBLESHOOTING

No Air Is Being Produced

1. Ensure that the air pump is plugged in
2. Follow the maintenance section. Ensure that there are no blockages in the air hose assembly and that all valves allow air passage. Check that the air hose is not kinked.
3. Turn the pump up. The control knob is located on the front of the pump.
4. Remove air hose. Unplug appliance and inspect the diaphragm for tears or rips. Any opening in the diaphragm will make it impossible for the pump to produce air for aeration purposes.

Noisy Operation

1. Placement of your air pump can greatly affect the amount of noise it makes. Try suspending the noisy air pump at, or above water level to reduce the resistance of water on the air pump.

IMPORTANT! Ensure the air pump is not positioned so it could either fall in the water or get splashed. Air pumps are not designed for exposure to water, and touching a wet air pump

could result in an electric shock.

2. Keeping the air hose length to a minimum.
3. Some surfaces can amplify the noise produced. Place the air pump on a vibration-absorbing surface such as foam.

The diaphragm is a perishable part and might be worn out. Replaced your pump's diaphragm every year to keep the air pump operating quietly and efficiently.

SPECIFICATIONS

MODEL	AP-1.5-KIT	AP-3-KIT	AP-6-KIT	AP-12-KIT
VOLTAGE	220V/50Hz	220V/50Hz	220V/50Hz	220V/50Hz
POWER	3W	3W	4W	8W
PRESSURE	0.02MPa	0.04MPa	0.016MPa	0.016MPa
OUTPUT	1.5L/min	3L/min	5.6L/min	11.2L/min
WEIGHT	455g	471g	739g	1078g

CONTENTS

MODEL	AP-1.5-KIT	AP-3-KIT	AP-6-KIT	AP-12-KIT
AIR PUMP	x 1	x 1	x 1	x 1
AIR STONE	x 1	x 2	x 2	x 4
NON RETURN VALVE	x 1	x 2	x 2	x 4
AIR HOSE	2m	4m	4m	8m

WARRANTY

The All Pond Solutions AP series is guaranteed against defects in material or workmanship under normal aquarium usage and comes with 12 months warranty for all electrical parts. The warranty period commences from the date of purchase.

If you require support on how to use your unit, replacement parts or if your air pump develops a fault during the warranty period, please contact the supplier of your unit.

Non-replaceable, non-perishable and non-serviceable parts will be repaired or replaced free of charge, once the unit is returned with all components along with a valid proof of purchase

The All Pond Solutions AP series is guaranteed against defects in material or workmanship under normal aquarium usage and comes with 12 months warranty for all electrical parts. The warranty period commences from the date of purchase.

If you require support on how to use your unit, replacement parts or if your air pump develops a fault during the warranty period, please contact the supplier of your unit.

Non-replaceable, non-perishable and non-serviceable parts will be repaired or replaced free of charge, once the unit is returned with all components along with a valid proof of purchase and postage paid. We reserve the right to replace or repair the unit at our discretion.

Please be aware that perishable parts that are subject to normal wear and tear, such as diaphragms and air stones are not covered by your warranty and a charge may be required for replacements of these.

This warranty does not apply to any unit that has been subjected to misuse, accidental damage, negligence, tampering or customisation. It does not apply to units which have been assembled incorrectly, improperly maintained, or where the instructions and safety information in this manual has not been followed correctly.

No liability is assumed with respect to loss or damage to livestock or personal property irrespective of the cause thereof.

Please ensure that only genuine All Pond Solutions components are used when completing a replacement or repair. Spare parts are available at our official website or from your local supplier.

Before returning your unit under warranty terms, check that all setup and maintenance instructions have been correctly followed. If you are in doubt, please contact your local aquatic retailer for further advice before returning the product.

This does not affect your statutory rights.



www.allpondsolutions.co.uk

All Pet Solutions Limited Trading as All Pond Solutions
Unit 203 Riverside Way, Uxbridge, Middlesex,
England, UB8 2YF